

Muting connection box OMC1

OMC1 is a connection box that simplifies the connection of muting sensors to a light guard.

Using fast and simple M12 connectors, 2 or 4 muting sensors can easily be connected.

With an IP67 rating, OMC1 can be used in most field applications.



Easy to
install

M12 connectors

The M12 connectors speed up the connection and reduce the risk of connection error.



Reliable in extreme
conditions

IP67 housing

The IP67 housing makes OMC1 suitable for most field applications.

OMC1, Muting connection box



OMC1

2TLCT172016W0201



M12-CYMUTE

2TLCT172014V0201

Ordering details

Description	Type	Order code
Connection box for two or four muting sensors	OMC1	2TLA022316R2000

Muting cable (between light guard and OMC1)

Type of detection	Light guard	Type	Order code
Finger (14 mm resolution)	Orion1-4-14-zzz-E	M12-C02PT62RM	2TLA022315R0300
Hand (30 mm resolution)	Orion1-4-30-zzz-E	M12-C02PT62RM	2TLA022315R0300
Body up to 50 m, two sides connection	Orion2-4-Kx-zzz-E	M12-CYMUTE	2TLA022316R0100
Body up to 8 m, one side connection	Orion3-4-KxC-zzz-E Orion3-4-M1C-zzz	M12-CYMUTE	2TLA022316R0100

M12-C02PT62RM: M12-8 female to M12-12 male + M12-5 male. See Orion1 Extended product sheet for more information.

M12-CYMUTE: The M12-5 connector is connected to OMC1. The M12-8 male connector has the same pinout as the Orion2 Extended receiver and the Orion3 Extended active part and can be connected to Tina 10, M12-3R or to the safety control module.



M12-C112

2TLCT172949F0201

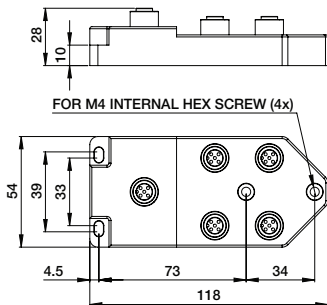


M12-C203

2TLCT172933F0201

Cables

Description	Type	Order code	OMC1 to Mute R2	M12-CYMUTE to el-cabinet	M12-C02PT62RM to el-cabinet
M12-5 male + female connectors with 1 m shielded cable	M12-C112	2TLA020056R2000	X		
M12-5 male + female connectors with 3 m shielded cable	M12-C312	2TLA020056R2100	X		
M12-5 male + female connectors with 6 m shielded cable	M12-C612	2TLA020056R2200	X		
M12-5 male + female connectors with 10 m shielded cable	M12-C1012	2TLA020056R2300	X		
M12-5 male + female connectors with 20 m shielded cable	M12-C2012	2TLA020056R2400	X		
Straight M12-8 female connector with 6 m shielded cable	M12-C63	2TLA020056R3000		X	
Straight M12-8 female connector with 10 m shielded cable	M12-C103	2TLA020056R4000		X	
Straight M12-8 female connector with 20 m shielded cable	M12-C203	2TLA020056R4100		X	
Straight M12-12 female connector with 6 m shielded cable	M12-C65	2TLA020056R7200			X
Straight M12-12 female connector with 10 m shielded cable	M12-C105	2TLA020056R7300			X
Straight M12-12 female connector with 20 m shielded cable	M12-C205	2TLA020056R7500			X



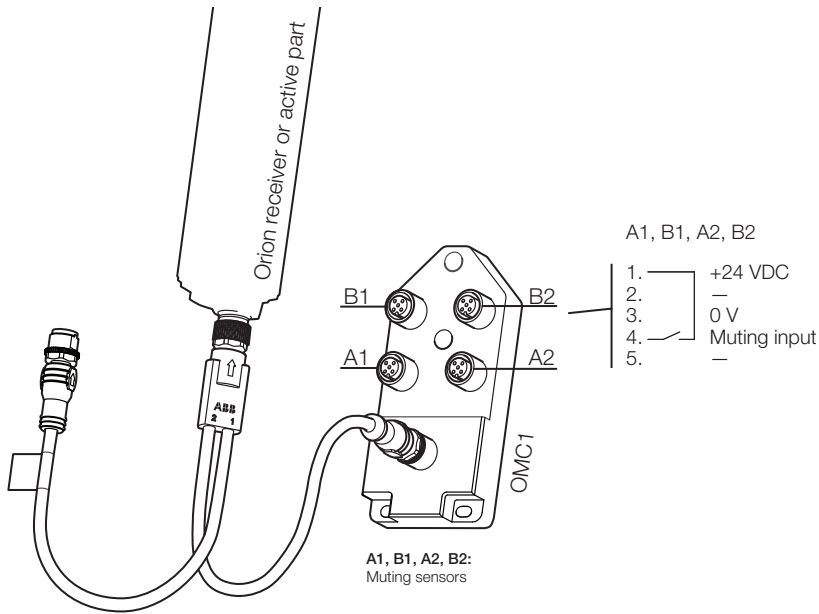
All dimensions in mm

Technical data

Power supply	
Voltage	Min: 10 V, max +30 V
Mechanical data	
Color	Black
Material	PBT
Size	118 x 54 x 28 (L x W x H) mm
Weight	160 g
Protection class	IP67
Connectors	5 x M12-5 pole female connector
Environmental data	
Ambient temperature	-25...+80°C
Humidity range	35 to 85% (with no icing or condensation)

Connection examples

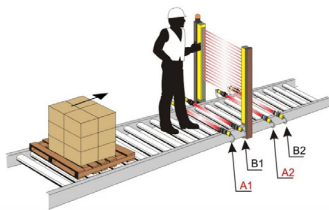
Connection of OMC1



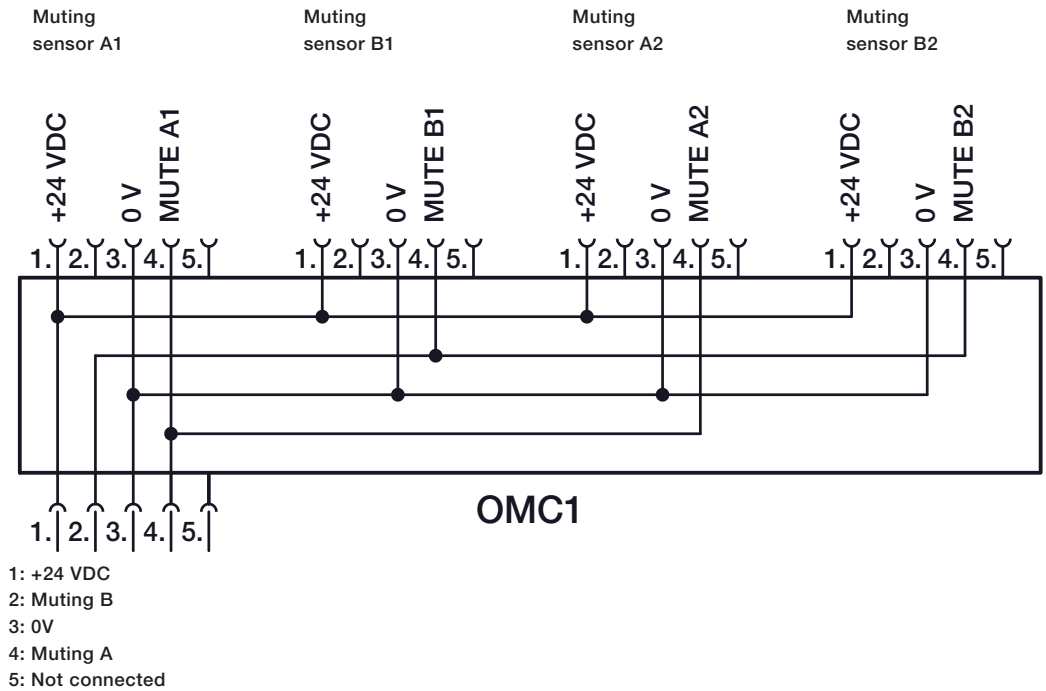
For connection to OMC1, use M12-CYMUTE with Orion2 Extended or Orion3 Extended, and M12-C02PT62RM with Orion1 Extended.

NB: Cable with M12-5 male + female connectors shall be used between muting sensors and OMC1 inputs A1, B1, A2, B2.

Electrical connection



You will find information about the muting function in respective Orion manual.



Contact us

ABB AB

Jokab Safety

Varlabergsvägen 11

SE-434 39 Kungsbacka

Tel. +46 (0) 21-32 50 00

www.abb.com/jokabsafety

Note

We reserve the right to make technical changes or modify the contents of this document without prior notice. With regard to purchase orders, the agreed particulars shall prevail. ABB does not accept any responsibility whatsoever for potential errors or possible lack of information in this document.

We reserve all rights in this document and in the subject matter and illustrations contained therein. Any reproduction, disclosure to third parties or utilization of its contents - in whole or in parts - is forbidden without prior written consent of ABB.

Copyright© 2016 ABB
All rights reserved



2TLC172105L0201