



KOMPAKT 37 - pre-assembled Signal Tower

Size comparison KOMPAKT 37 / KombiSIGN 40



Signalisation Index

Optical		Audible	
LED Permanent Light	3	Pulse tone	4

Your benefits

The KOMPAKT 37 is a completely pre-assembled signal tower that can be easily ordered under a single part number. With 1-5 visual tiers, the slim signal tower can be installed quickly and easily. The compact and completely enclosed construction is ideal for use in all types of public areas because it is tamper-proof.

- Up to six levels of signal escalation possible – including an audible signal
- In *ClassicLOOK* or *DesignLOOK* to suit all machine surfaces
- Clearly visible from all positions thanks to the *OmniVIEW* lens with no blind spots

Typical applications

Fault signalling

- on smaller machines and equipment
- on point-of-sale and access control systems

Installation options

- Single-hole mounting
- Additional installation options using accessories

Features

- Pre-assembled with easy cable connection or M12 plug for plug & play use





How to select your KOMPAKT 37 signal tower

► STEP 1

Select the signal tower of your choice with or without buzzer, with the appropriate connection, housing colour, voltage and number of tiers.

Part numbers can be found on page 50.

ClassicLOOK



- 1-5 tiers
- With or without buzzer
- M12 plug or cable
- Black or silver finish

DesignLOOK



► STEP 2

Select up to two extension tubes.

optional:



Extension tube
Order no. **960 698 02**

optional:



Extension tube
Order no. **960 698 04**

► STEP 3

Select the appropriate fixing accessories for your application, using for example a tube and base or a bracket mount.

Single Hole Mounting

Bracket Mounting

Base Mounting

Single Hole Mounting

Bracket Mounting

Base Mounting



Bracket for base mounting
Order no. **960 630 02**



Base with integrated tube
Order no. **960 698 01**



Bracket for base mounting
Order no. **960 630 06**



Base with integrated tube
Order no. **960 698 03**

► STEP 4

Where appropriate, select the bracket and the contact box.



Bracket for base mounting with concealed cable entry
Order no. **960 000 14**



Contact box for cable exit at side
Order no. **975 840 01**



Bracket for tube mounting
Order no. **960 000 01**



Contact box with magnetic base and cable exit at side
Order no. **975 840 04**



Corner fixing bracket
Order no. **960 000 41**

Go to the signal devices page on: www.werma.com

Here you can use the selection tool „Configurator“ to select the Kompakt 37 signal tower according to your requirements.

With the help of intuitive questions and pictures you will be able to make your choice with just a few mouse clicks.



KOMPAKT 37 - pre-assembled Signal Tower

ClassicLOOK



Two tier Kompakt 37 with integral tube and base (accessory)



Three tier Kompakt 37 with bracket (accessory)

i TECHNICAL SPECIFICATIONS/ORDER SPECIFICATIONS:

Dimension (Ø x Height):	1 tier: 37.5 mm x 93,5 mm 2 tier: 37.5 mm x 127.5 mm 3 tier: 37.5 mm x 161.5 mm 4 tier: 37.5 mm x 195.5 mm 5 tier: 37.5 mm x 229.5 mm (Protrusion from panel)
Housing:	PC
Fixing:	Single hole mounting for Ø 22.5 mm (M22 x 1.5 mm) Base or bracket mounting (accessory)
Connection:	Cable connection: Cable, 2 m long, Plug connection: M12 Plug (1/2/3 tier: 5 pole; 4/5 tier: 8 pole)
Current consumption:	50 mA per tier / buzzer 24 V 125 mA per tier / buzzer 12 V

Nut and seal included in assembly.

ClassicLOOK with buzzer		Connection	24 V AC/DC
1 tier	red	Plug	699 610 75
	yellow	Plug	699 630 75
2 tier	green/red	Cable	699 120 75
	yellow/red	Cable	699 130 75
	green/red	Plug	699 220 75
	yellow/red	Plug	699 230 75
3 tier	green/yellow/red	Cable	699 110 75
	green/yellow/red	Plug	699 210 75
4 tier	clear/green/yellow/red	Cable	699 140 75
	blue/green/yellow/red	Cable	699 150 75
	clear/green/yellow/red	Plug	699 240 75
	blue/green/yellow/red	Plug	699 250 75
5 tier	blue/clear/green/yellow/red	Cable	699 160 75
	blue/clear/green/yellow/red	Plug	699 260 75

ClassicLOOK without buzzer		Connection	24 V AC/DC	12 V AC/DC
2 tier	green/red	Cable	698 120 75	698 120 74
	yellow/red	Cable	698 130 75	-
	green/red	Plug	698 220 75	-
	yellow/red	Plug	698 230 75	-
3 tier	green/yellow/red	Cable	698 110 75	698 110 74
	green/yellow/red	Plug	698 210 75	-
4 tier	clear/green/yellow/red	Cable	698 140 75	-
	blue/green/yellow/red	Cable	698 150 75	-
	clear/green/yellow/red	Plug	698 240 75	-
	blue/green/yellow/red	Plug	698 250 75	-
5 tier	blue/clear/green/yellow/red	Cable	698 160 75	-
	blue/clear/green/yellow/red	Plug	698 260 75	-

DesignLOOK with buzzer		Connection	24 V AC/DC
1 tier	red	Plug	699 810 75
	yellow	Plug	699 830 75
2 tier	green/red	Cable	699 320 75
	yellow/red	Cable	699 330 75
	green/red	Plug	699 420 75
	yellow/red	Plug	699 430 75
3 tier	green/yellow/red	Cable	699 310 75
	green/yellow/red	Plug	699 410 75



DesignLOOK



The height of the KOMPAKT 37 can be increased by max. 160 mm with the use of extension tubes, ensuring optimum visibility



TECHNICAL SPECIFICATIONS/ORDER SPECIFICATIONS:

DesignLOOK with buzzer		Connection	24 V AC/DC
4 tier	clear/green/yellow/red	Cable	699 340 75
	blue/green/yellow/red	Cable	699 350 75
	clear/green/yellow/red	Plug	699 440 75
	blue/green/yellow/red	Plug	699 450 75
5 tier	blue/clear/green/yellow/red	Cable	699 360 75
	blue/clear/green/yellow/red	Plug	699 460 75
DesignLOOK without buzzer		Connection	24 V AC/DC
2 tier	green/red	Cable	698 320 75
	yellow/red	Cable	698 330 75
	green/red	Plug	698 420 75
	yellow/red	Plug	698 430 75
3 tier	green/yellow/red	Cable	698 310 75
	green/yellow/red	Plug	698 410 75
4 tier	clear/green/yellow/red	Cable	698 340 75
	blue/green/yellow/red	Cable	698 350 75
	clear/green/yellow/red	Plug	698 440 75
	blue/green/yellow/red	Plug	698 450 75
5 tier	blue/clear/green/yellow/red	Cable	698 360 75
	blue/clear/green/yellow/red	Plug	698 460 75



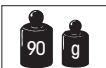
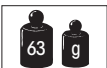
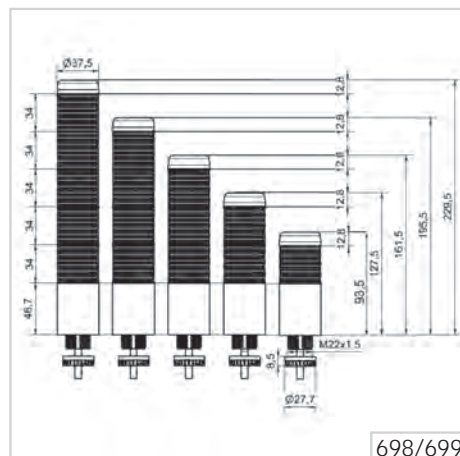
ACCESSORIES:

	ClassicLOOK	DesignLOOK
Base with integrated tube	960 698 01	960 698 03
Extension tube	960 698 02	960 698 04
Cable 5 m with M12 plug (5 pole)		960 693 05
Cable 5 m with M12 plug (8 pole)		960 000 47
Cable 5 m with M12 connector and plug (8 pole)		960 000 46
Bracket for assembly on aluminium profiles	960 630 02	960 630 06

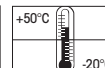
Further accessories can be found on page 64.



TECHNICAL DIAGRAMS:



699



PLC



deSIGN 42 - pre-assembled Signal Tower

Size comparison deSIGN 42 / KombiSIGN 72



Signalisation Index

Optical	
LED Permanent Light	3

Your benefits

Thanks to its high-quality stainless steel housing, the deSIGN 42 signal tower is an ideal accompaniment to modern, design-oriented assembly lines, production facilities and machinery. The robust housing provides the key benefit of being tamper-proof for installations in public areas.

- Elegant industrial design
- Tamper-proof for public areas

Typical applications

Fault signalling

- on machinery and equipment

Access control

- on control points in public areas

Installation options

- Single-hole mounting
- Bracket mounting using accessories

Features

- High-quality, robust stainless-steel housing
- Award-winning design





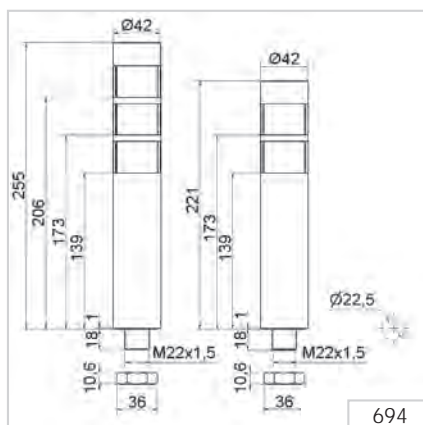
i TECHNICAL SPECIFICATIONS/ORDER SPECIFICATIONS:

	2 tier	3 tier
Dimensions (Ø x Height):	42 mm x 220 mm	42 mm x 254 mm
Housing:	Stainless steel, brushed	
Fixing:	Installation mounting for Ø 22.5 mm (M22 x 1.5 mm)	
Connection:	Cable, 2 m long, included in assembly	
Voltage:	24 V DC	24 V DC
Current consumption:	50 mA per tier	50 mA per tier
red/green	694 010 55	-
red/yellow	694 020 55	-
red/yellow/green	-	694 000 55

🏠 ACCESSORIES:

Surface housing single	975 109 02
Bracket, stainless steel (Protection rating IP 33)	960 694 01

📏 TECHNICAL DIAGRAMS:



ClearSIGN - pre-assembled Signal Tower

Size comparison ClearSIGN / KombiSIGN 72



Signalisation Index

Optical		Audible	
LED Permanent Light	3	Continuous tone	3
LED Blinking Light	3		
LED Flashing Light	4		
LED EVS Light	4		

Your benefits

The pre-assembled ClearSIGN signal tower combines an appealing industrial design with the latest cutting-edge LED technology and an innovative interface. The version with IO-Link interface offers maximum flexibility and various light effects. The signal tower is ideally suited to modern industrial environments.

- Maximum range of colours using RGB Technology
- Visual display of fill levels and temperature conditions
- Set colours and light effects according to your needs with the IO-Link version

Typical applications

Fault signalling

- on machines and equipment (with optional IO-Link interface)
- on small equipment in production areas or the building services industry

Installation options

- Base mounting
- Bracket mounting using accessories

Features

- IO-Link control enables more than 1 million colours and various light effects
- Available with 3 or 4 tiers





4 tier ClearSIGN



3 tier ClearSIGN

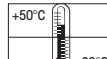
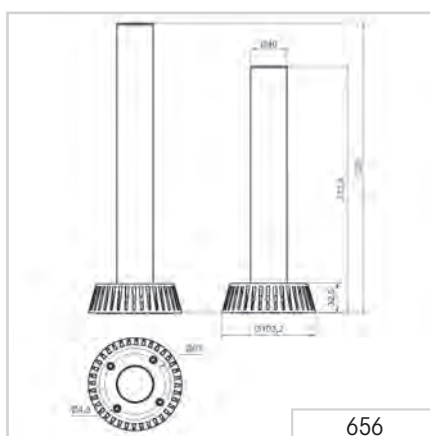
i TECHNICAL SPECIFICATIONS/ORDER SPECIFICATIONS:

	3 tier	4 tier
Dimensions (Ø x Height):	103,2 mm x 273 mm	103,2 mm x 320 mm
Housing:	PC; PC/ABS	
Fixing:	Base mounting	
Connection:	Push-In terminal max. 0,5 mm ² M12 (4 pin) - IO version	
Cable entry:	Cable diameter max. 11 mm	
Light effects:	LED Permanent light or EVS (except RGB Version) or other variants possible with IO Link	
Tone type:	Continuous tone or other variants possible with IO Link	
Voltage:	24 V DC	24 V DC
Current consumption:	105 mA	130 mA
red/yellow/green	656 000 04	-
red/yellow/green/blue	-	656 000 03
RGB		
Voltage:	-	24 V DC
Current consumption:	-	385 mA
with up to 7 colours per tier	-	656 100 01
IO Link without buzzer		
Current consumption:	-	385 mA
Over 1m colour variants possible	-	656 100 02
IO Link with buzzer		
Current consumption:	-	425 mA
Over 1m colour variants possible	-	656 100 03
Buzzer module		
Sound output:	Max. 85 dB (A)	
Voltage:	24 V DC	
Order no.:	656 000 55	

🏠 ACCESSORIES:

Bracket for base mounting **975 656 01**

📏 TECHNICAL DIAGRAMS:



656.000.04



656.000.03



656.100.01



656.100.02



656.100.03



656.000.55





CleanSIGN - pre-assembled Signal Tower

Size comparison CleanSIGN / KombiSIGN 72



Signalisation Index

Optical		Audible	
LED Permanent Light	3	Continuous tone	3
LED Blinking Light	3		
LED EVS Light	5		

Your benefits

The CleanSIGN signal tower has been specifically developed and certified for use in clean rooms, food and hygiene areas as well as the pharmaceutical industry. The signal tower ensures maximum safety in these environments by reducing the risk of contamination.

- Reliable signalling even in clean rooms
- Easy-to-clean, hygienic design for optimal cleaning and disinfection
- Ensures food safety through the absence of uneven surfaces, elevated or countersunk elements where dirt can accumulate
- Use of food safe materials and resistant to cleaning agents (FDA approved)
- Application-specific selection of colours and light effects for maximum flexibility

Typical applications

Fault signalling

- in clean rooms, e.g. semiconductor and solar industries
- in the food and beverage industry
- in pharmaceutical and cosmetic industries

Installation options

- Base mounting
- Ceiling mounting
- Wall mounting

Features

- EHEDG and Fraunhofer IPA approval
- Bracket mounting fulfills Air Cleanliness Class 1 for Cleanroom applications in accordance with DIN EN ISO 14644-1
- Base or Ceiling mounting fulfills Air Cleanliness Class 1
- Electronic modularity of the individual tiers (colour and light effects individually adjustable/ can be externally triggered)





Fixed, three tier colour distribution
in red, yellow and green

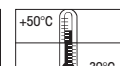
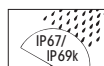
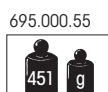
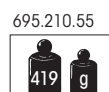
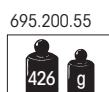
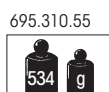
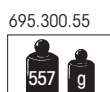
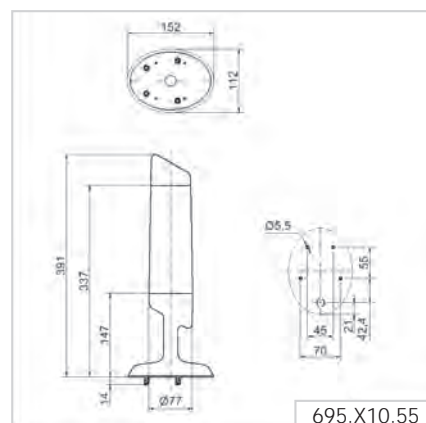
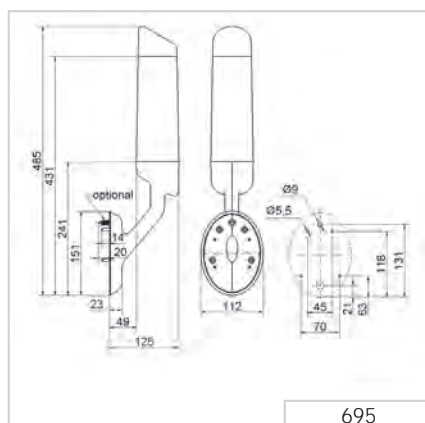


The "EVS" light effect ensures
a maximum attention-grabbing
effect (can be set with complete
illumination)

i TECHNICAL SPECIFICATIONS/ORDER SPECIFICATIONS:

	Wall mounting	Base/Ceiling mounting
Dimensions (L x H x W):	112 mm x 485 mm x 125 mm	112 mm x 391 mm x 125 mm
Housing:	PA, black	
Lens:	PA, transparent	
Fixing:	Wall mounting, integrated mounting bracket Base mounting, Ceiling mounting	
Sound output:	85 dB (A)	
CleanSIGN red/green/yellow		
Connection:	Cable, 2 m long, included in the assembly	
Colours:	Pre-set colours: red/yellow/green	
Voltage:	24 V DC	
Current consumption:	Optical: < 120 mA per tier Buzzer: < 20 mA	
Order no.:	695 300 55	695 310 55
CleanSIGN RGY		
Connection:	Screw terminal max. 1.5 mm ²	
Colours:	Coulours selectable by dip-switch: red/yellow/green	
Voltage:	24 V DC	
Current consumption:	Optical: < 240 mA Buzzer: < 20 mA	
Order no.:	695 200 55	695 210 55
CleanSIGN RGB		
Connection:	Screw terminal max. 1.5 mm ²	
Colours:	Red, yellow, green, white, blue, violet, turquoise Coulours selectable by dip-switch	
Light effects:	Tier-by-tier illumination: Blinking light Complete illumination: EVS	
Voltage:	24 V DC	
Current consumption:	Optical: < 240 mA Buzzer: < 20 mA	
Order no.:	695 000 55	695 010 55

i TECHNICAL DIAGRAMS:





FlatSIGN - pre-assembled Signal Tower

Size comparison FlatSIGN / KombiSIGN 72



Signalisation Index

Optical		Audible	
LED Permanent Light	2	Continuous tone	2
LED Blinking Light	3	Multi-tone Sounder	4

Your benefits

The curved front of the FlatSIGN signal tower housing enables it to blend in uniformly with machine and building service applications. The 160-degree visibility angle ensures exceptional visibility even from the side.

- Easy to install – also on flush-mount enclosures
- TwinLIGHT combines two easily selectable light effects

Typical applications

Fault signalling or Access control

- in building service applications (e.g. server and equipment rooms)
- at access points in public areas

Installation options

- Wall mounting
- Additional installation options using accessories

Features

- Permanent or blinking light selectable
- Available with transparent housing or in metal design
- Optional integrated audible signal



TwinLIGHT



In its inactive state, the signal tower blends into the background thanks to its colourless, translucent housing



FlatSIGN in metallic finish



The fixing kit consists of two tube clamps and an adaptor (accessory)

i TECHNICAL SPECIFICATIONS/ORDER SPECIFICATIONS:

Dimensions (L x H x W):	195 mm x 105 mm x 48,2 mm	
Lower part:	PC-ABS, black	
Upper part:	PC, transparent or silver	
Fixing:	Wall mounting	
Cable entry:	Cable diameter max. 11 mm	
Connection:	Screw terminal max. 1.5 mm ²	
Light effects:	Permanent or blinking light selectable	
Audible signal:	Buzzer or multi-tone sounder (8 tones)	
Sound output:	Max. 80 dB (A)	
Colours:	Green, yellow, red	

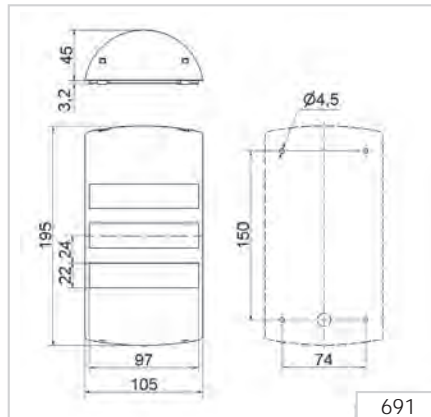
	Multi-tone Sounder	Buzzer (Continuous tone)
Voltage:	24 V DC	115-230 V AC
Current consumption:	Optical: 30 mA per tier Audible: 30 mA	

FlatSIGN with transparent housing		
FlatSIGN without audible signal	691 100 55	691 100 68
FlatSIGN with audible signal	691 200 55	691 200 68
FlatSIGN in Metal Design		
FlatSIGN without audible signal	691 300 55	691 300 68
FlatSIGN with audible signal	691 400 55	691 400 68

ACCESSORIES:

Fixing kit	975 691 01
------------	-------------------

TECHNICAL DIAGRAM:



Max. 691.X00.55

--	--	--	--	--	--	--	--



VarioSIGN - pre-assembled Signal Tower

Size comparison VarioSIGN/KombiSIGN 72



Signalisation Index

Optical		Audible	
LED Permanent Light	3	Continuous tone	3
LED Blinking Light	3		
LED EVS Light	5		

Your benefits

With the VarioSIGN light effects and colours can be individually set and adjusted via dip-switches at any time - depending on the variant. The eye-catching illumination of the entire lighting body ensures an exceptional appearance and visibility.

- Flexible selection of colours and light effects
- Award-winning design

Typical applications

Fault signalling

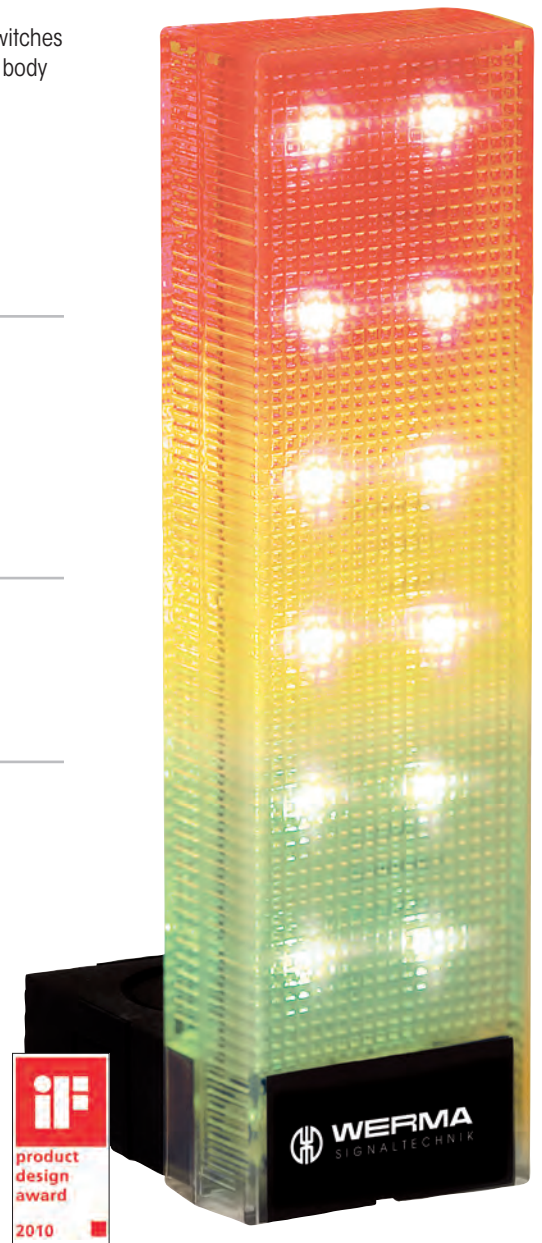
- on machinery and equipment
- on automation systems

Installation options

- Base mounting

Features

- Optional integrated sounder
- Electronic modularity: i.e. colours and light effects are adjustable for each tier





Fixed, three-tier colour distribution in red, yellow and green

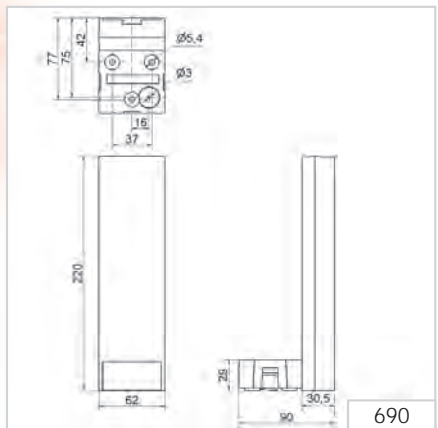


The "EVS" light effect ensures a maximum attention-grabbing effect (single colour distribution can be selected)

i TECHNICAL SPECIFICATIONS/ORDER SPECIFICATIONS:

Dimensions (L x H x W):	62 mm x 220 mm x 90 mm	
Housing:	PC/ABS-Blend, black	
Lens:	PC, transparent	
Fixing:	Base mounting	
Cable entry:	Cable diameter max. 11 mm	
Connection:	Screw terminal max. 1.5 mm ²	
VarioSIGN - red/yellow/green	With buzzer	Without buzzer
Colours:	Pre-set colours (red/yellow/green)	
Voltage:	24 V DC	
Current consumption:	Optical: < 55 mA per tier Buzzer: < 20 mA	
2-sided	690 300 55	690 320 55
VarioSIGN - RGY		
Colours:	Red, yellow, green Colours selectable by Dip-switch	
Voltage:	24 V DC	
Current consumption:	Optical: < 120 mA Buzzer: < 20 mA	
2-sided	690 200 55	690 220 55
VarioSIGN - RGB		
Colours:	Red, yellow, green, white, blue, violet, turquoise Colours selectable by Dip-switch	
Light effects:	Tier-by-tier illumination: Flashing light Complete illumination: EVS	
Voltage:	24 V DC	
Current consumption:	Optical: < 300 mA Buzzer: < 20 mA	
2-sided	690 000 55	-

TECHNICAL DIAGRAM:



690.300.55
690.320.55
690.200.55
690.220.55
690.000.55