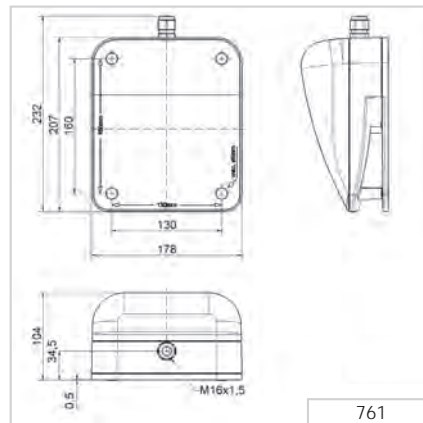




**i TECHNICAL SPECIFICATIONS/ORDER SPECIFICATIONS:**

<b>Dimensions (L x H x W):</b>	178 mm x 104 mm x 207 mm				
	130 mm x 160 mm				
<b>Housing:</b>	PC				
<b>Connection:</b>	CAGE CLAMP® max. 2.5 mm²				
<b>Cable entry:</b>	Cable gland M16 x 1.5 mm; Cable diameter 6,5-9,5 mm				
<b>Fixing:</b>	Wall mounting, base mounting				
<b>Explosion protection:</b>	ⓧ II 2G Ex e mb IICT5 Gb ⓧ II 2D Ex tb IIIC T 70°C Db				
<b>Approval:</b>	BVS 03 ATEX E 118X				
<b>Voltage:</b>	24 V DC	24 V AC	48 V AC	115 V AC	230 V AC
<b>Voltage:</b>	21,6 V ... 26,4 V	21,6 V ... 26,4 V	37,8 V ... 52,8 V	102,5 V ... 126,5 V (50 Hz)	108 V ... 131 V (60 Hz)
<b>Current consumption:</b>	350 mA	450 mA	220 mA	205 mA	70 mA
<b>Order No.:</b>	<b>761 000 55</b>	<b>761 000 65</b>	<b>761 000 66</b>	<b>761 000 67</b>	<b>761 000 68</b>

**TECHNICAL DIAGRAM:**



Signalisation index	
Horn	6

2 G
Zone 1 + 2

2 D
Zone 21 + 22

1,3 kg
--------

+50°C
-40°C

