

421/423 Mini Xenon Flash / Multi-Tone Sounder Combination



Base mounting



Wall mounting



Mounting holes integrated into the product rim allow easy mounting without having to remove the lens

i TECHNICAL SPECIFICATIONS/ORDER SPECIFICATIONS:

	Base/Tube mounting	Wall mounting
Dimensions (Ø x Height):	89 mm x 100,5 mm (Base mount.)	-
Dimensions (L x H x W):	-	83 mm x 120,5 mm x 91 mm
Housing:	PC, black	PC/ABS-Blend; PC grey
Lens:	PC, transparent	
Connection:	Screw terminal with wire protection max. 1.5 mm ²	
Cable entry:	Cable diameter max. 9 mm	
Flash energy:	1 Ws	
Flash frequency:	1 Hz	
Life duration:	4 x 10 ⁶ flashes	
Tone type:	Selectable, see table below	
Tone frequency:	See table	
Fixing:	Tube mounting via accessory	Sound outlet facing downwards
Voltage:	24 V AC/DC	
Current consumption Flash:	120 mA	
Current consumption MTS:	80 mA	
Base/Tube mounting		
red	421 120 75	
yellow	421 320 75	
Wall mounting		
red	423 120 75	
yellow	423 320 75	

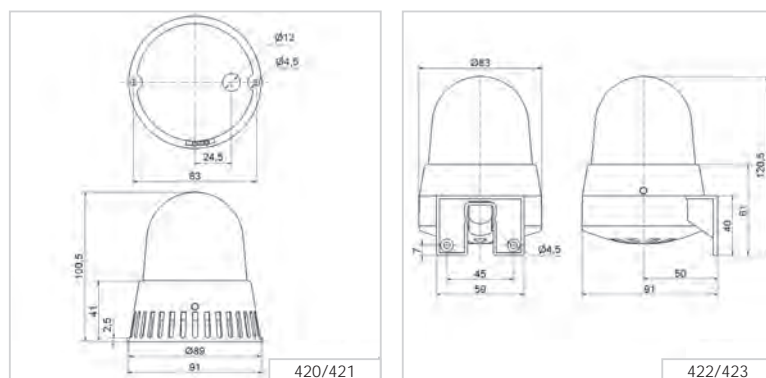
🎵 TONE TYPES AND FREQUENCIES:

Ton	Tone type
1	Horn tone (c. 110 Hz)
2	Continuous tone (c. 3.0 KHz)
3	1 Hz tone (c. 3.0 KHz)
4	20 Hz whistle tone (c. 3.0 KHz)
5	800-970 Hz rising @ 1 Hz
6	2400-2850 Hz rising @ 7 Hz
7	1200-500 Hz falling @ 1 Hz
8	Alternating tone 800 Hz / 1200 Hz @ 1Hz

🏠 ACCESSORIES:

Accessories see page 265.

📐 TECHNICAL DIAGRAMS:



Siganlisation index	
Multi-Tone Sounder	7
Xenon Flash	4

adjustable

CE EAC 120g IP65 +50°C -20°C 105 dB 1 Ws 8 🎵

