



i TECHNICAL SPECIFICATIONS/ORDER SPECIFICATIONS:

Dimensions (Ø x Height):	100 mm x 100 mm
Housing:	PC/ABS-Blend
Connection:	Screw terminal max. 2.5 mm ²
Cable entry:	Cable gland M20 x 1.5 mm Cable gland not included in assembly
Tone types and frequencies:	Selectable via DIP switch, see table page 237
Installation position:	Sound outlet not facing upwards

Voltage:	9-28 V DC
Current consumption:	≤ 120 mA
red	140 150 50
white	140 950 50

Products with EN54-3 (VdS) approval for fire alarm applications

Voltage:	9-28 V DC
Current consumption:	≤ 120 mA
red	140 160 50
white	140 960 50

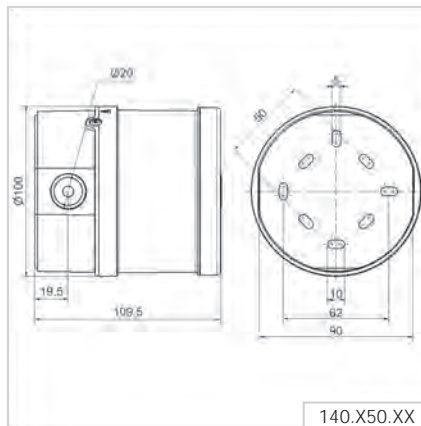


Voltage:	110-240 V AC
Current consumption:	≤ 40 mA
red	140 150 60
white	140 950 60

ACCESSORIES:

Cable gland M20 x 1.5 mm	975 444 01
--------------------------	-------------------

TECHNICAL DIAGRAM:



Signalisation index

Multi-tone sounder	8
--------------------	---



9-28 V	110-240 V	with use of rear cable entry	ERAC	260 g	290 g	IP54	IP65	+70°C -40°C	115 dB	32
--------	-----------	------------------------------	------	-------	-------	------	------	----------------	--------	----