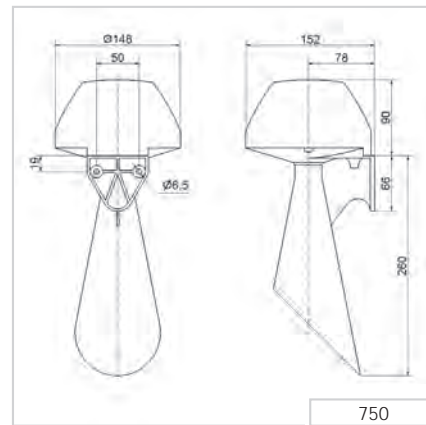




i TECHNICAL SPECIFICATIONS/ORDER SPECIFICATIONS:

Dimensions (L x H x W): 148 mm x 350 mm x 152 mm					
Housing: PC/ABS-Blend					
Connection: Cable 3 m, 2 x 0,75 mm ²					
Fixing: Bracket mounting, sound outlet facing downwards					
Explosion protection: Ex II 2G Ex mb IIC T5 Gb					
Approval: BVS 03 ATEX E 118X					
Voltage:	24 V DC	24 V AC	42-48 V AC	115 V AC	230 V AC
Voltage:	21,6 V ... 26,4 V	21,6 V ... 26,4 V	37,8 V ... 52,8 V	102,5 V ... 126,5 V (50 Hz)	108 V ... 131 V (60 Hz)
Current consumption:	350 mA	450 mA	220 mA	205 mA	70 mA
Order No.:	750 000 55	750 000 65	750 000 66	750 000 67	750 000 68

1 2 3 TECHNICAL DIAGRAM:



Signalisation index	
Horn	6

2 G
Zone 1 + 2

1,3 kg

IP55

+50°C
-40°C

105 dB
