



High-output traffic light combination



The fixing bracket can be mounted pointing inwards or outwards (accessory)

Signalisation index	
LED Permanent Light	7
Vocal alarm	7
Multi-tone siren	8

**i TECHNICAL SPECIFICATIONS/ORDER SPECIFICATIONS:**

(LED-)Beacon/Sounder 190/Vocal Alarm 190

Dimensions (Ø x Height):	150 mm x 154 mm (890)
	150 mm x 127 mm (190)
	150 mm x 148 mm (Vocal Alarm 190)
Housing:	PC/ABS-Blend, grey
Lens:	PC, transparent
Fixing:	Base mounting, fixing bracket (accessory)
Cable entry:	From top or bottom with cable gland M20 x 1.5 mm or from the back with rubber grommet Ø 6-12 mm, included in assembly
Connection:	CAGE CLAMP® 0.5 - 1.5 mm²

Vocal Alarm 190

Sound output:	Adjustable, up to 110 dB
File Transfer:	Via USB connection and provided software
Possible data format:	Mp3 and wav files
Number of sequences:	15 files can be remotely triggered or one sequence with max. 50 files
Suitable for:	Windows®, System requirements - see Handbook
Assembly:	Vocal alarm, USB connection cable and software

Multi-Tone Sounder 190

Voltage:	10-30 V DC	115 V AC	230 V AC
Current consumption:	< 180 mA	< 55 mA	< 30 mA
grey	<b>190 000 55</b>	<b>190 000 67</b>	<b>190 000 68</b>

Vocal Alarm 190

Voltage:	24 V DC
Current consumption:	< 500 mA Low Power < 1500 mA High Power
grey	<b>190 020 55</b>

LED Beacon 890 see page 177

Permanent Beacon 890 see page 180

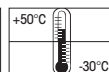
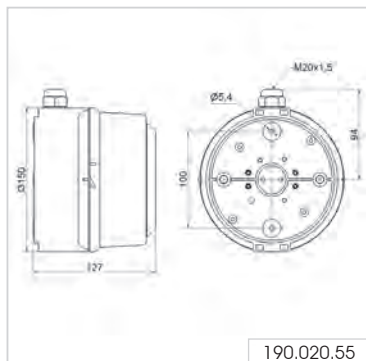
**ACCESSORIES:**

Fixing bracket, tube adaptor and connecting grommet see page 181.

**🎵 TONE TYPES AND FREQUENCIES:**

Selectable via DIP switch, see tone table on page 239.

**📏 TECHNICAL DIAGRAM:**



(A)

