



**i TECHNICAL SPECIFICATIONS/ORDER SPECIFICATIONS:**

Dimensions (Ø x Height): 58 mm x 69 mm (Protrusion from panel)

Housing: PA-GF, high impact

Lens: PC, transparent  
Ring: PC

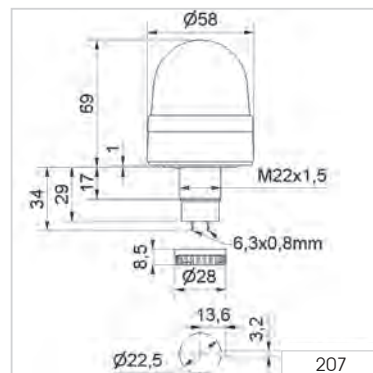
Connection: Spades 6.3 x 0.8 mm  
Finger-proof model according to BGV A2, when used with insulated spades

Fixing: Installation mounting for Ø 22.5 mm (M22 x 1.5 mm) with anti-twist device

Life duration: Up to 100,000 hrs

Voltage:	24 V AC/DC	115 V AC	230 V AC
Current consumption:	45 mA	25 mA	25 mA
red	207 100 75	207 100 67	207 100 68
green	207 200 75	207 200 67	207 200 68
yellow	207 300 75	207 300 67	207 300 68

**TECHNICAL DIAGRAM:**



**Signalisation index**

LED Permanent Light 3

