

801 LED Installation Permanent Beacon - PG29 (Ø 37 mm)



Tube adaptor as accessory



Accessories

i TECHNICAL SPECIFICATIONS/ORDER SPECIFICATIONS:

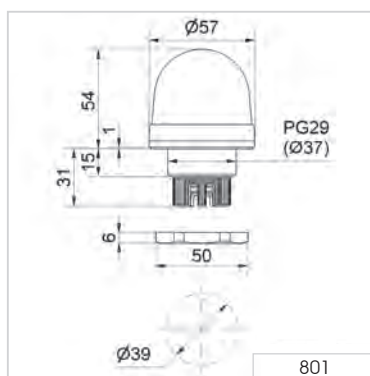
Dimensions (Ø x Height): 57 mm x 54 mm (Protrusion from panel)				
Housing:	PC/ABS-Blend			
	Socket: PA-GF, high impact			
Lens:	PC, transparent			
Fixing:	Installation mounting for Ø 37 mm (PG29)			
Connection:	Screw terminal 0.5 - 1.5 mm ²			
	flex radial or axial laid			
Life duration:	Up to 100,000 hrs			
Voltage:	24 V AC/DC	115 V AC	230 V AC	
Current consumption:	45 mA	25 mA	25 mA	
	red	801 100 75	801 100 67	801 100 68
	green	801 200 75	801 200 67	801 200 68
	yellow	801 300 75	801 300 67	801 300 68

Further colours and voltages on request.

a ACCESSORIES:

Tube adaptor	975 812 01
Base with integrated tube, Ø 25 mm, 110 mm long, plastic	975 840 10
Base for tube mounting	975 840 90
Base for base mounting	975 812 02
Tube Ø 25 mm, all anodized aluminium	
100 mm long	975 845 10
250 mm long	975 840 25
400 mm long	975 840 40
Anti-twist device	975 815 22
Surface housing IP 65	
for 1 Installation Beacon	975 815 03
for 2 Installation Beacons	975 815 07
for 3 Installation Beacons	975 815 08
for 4 Installation Beacons	975 109 05

ruler TECHNICAL DIAGRAM:



Signalisation index

LED Permanent Light 3

