

Zener Barrier (accessory)

i TECHNICAL SPECIFICATIONS/ORDER SPECIFICATIONS:

Dimensions (Ø x Height):	93 mm x 103 mm
Housing:	ABS
Connection:	Screw terminal max. 2.5 mm ²
Cable entry:	Cable diameter max. 12 mm
Duty cycle:	100%
Tone types and frequencies:	Selectable via switched, see table below
Fixing:	Wall mounting, Bodenmontage
Installation position:	Sound outlet not facing upwards
Explosion protection:	Ex II 1G Ex ia IIC T4 Ga
Approval:	Baseefa 06 ATEX 0161
Voltage:	24 V DC
Current consumption:	14 mA
Order No.:	714 000 55

ACCESSORIES:

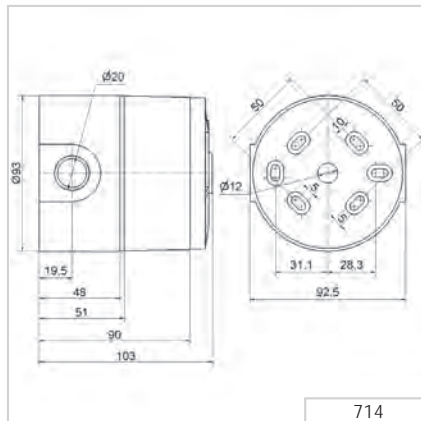
Zener Barrier	975 714 01
---------------	------------

♪ TONE TYPES AND FREQUENCIES:

selectable via DIP switch, 2 tones externally triggered

Ton A No.	Tone type	Ton A No.	Tone type
1	alternating 800/970 Hz in 2 Hz stroke	14	continuous 970 Hz
2	rising 800/970 Hz in 7 Hz stroke	15	554 Hz/100 ms alternating 440 Hz/400 ms
3	rising 800/970 Hz in 1 Hz stroke	16	660 Hz pulse: 150 ms ON, 150 ms OFF
4	continuous 2,850 Hz	17	660 Hz pulse: 1.8 sec. ON, 1.8 sec OFF
5	rising 2,400-2,850 Hz in 7 Hz stroke	18	660 Hz pulse: 6.5 sec. ON, 13 sec OFF
6	rising 2,400-2,850 Hz in 1 Hz stroke	19	continuous 660 Hz
7	500-1,200 Hz rising in 3 sec., 0.5 sec OFF	20	alternating 554/440 Hz in 0.5 Hz stroke
8	falling 1,200-500 Hz in 1 Hz stroke	21	pulse 660 Hz in 1Hz stroke
9	alternating 2,400/2,850 Hz in 2 Hz stroke	22	2,850 Hz pulse: 150 ms ON / 100 ms OFF
10	pulse 970 Hz in 0.5 Hz stroke	23	rising 800/970 Hz in 50 Hz stroke
11	alternating 800/970 Hz in 1 Hz stroke	24	rising 2,400-2,850 Hz in 50 Hz stroke
12	pulse 2,850 Hz in 0.5 Hz stroke	25	970 Hz pulse: 3 x 500 ms ON, 500 ms OFF, 1.5 sec. pause
13	970 Hz pulse: 0.25 sec. ON / 1 sec. OFF	26	2,850 Hz pulse: 3 x 500 ms ON, 500 ms OFF, 1.5 sec. pause

TECHNICAL DIAGRAM:



Signalisation index	
Multi-tone sounder	6

1 G
Zone 0, 1 + 2

300 g

IP65

+55°C
-20°C

Up to 103 dB

26

