

SHUTTLE ONE

4 MODULES

Project name: _____

Type: _____



General information

Luminaire characteristics: Nominal at 25°C

Power input: Vero: 320W or RS: 328W

Lumens: Vero: 45600 or RS: 40000 lm

Luminaire efficacy: Vero: 143 lm/W, RS: 122 lm/W

Source: Bridgelux® LED module, 5000K: 70-80-90 CRI or 4000K: 80-90 CRI (LM-80 tested).

Lumen maintenance: The Calculated L70 lumen maintenance of 250 000 hours is based on TM-21 lifetime calculation with >70% of initial lumens. This Calculated L70 lifetime is for the Vero products at case temperature of 85°C and nominal drive current operating condition. LM-79 tested.

Optics: General lighting

Body: Die-cast aluminum heat sink, aluminum fixation.

Electrical: High efficiency electronic power supply, 120V-277V or 347V. MTBF of 175 000 hrs at full load and 25°C ambient.

Operating temperature: -40°C to 40°C.

Dimming: Power supply compatible with 0-10V dimming.

Mounting: Supplied with anchor cable.

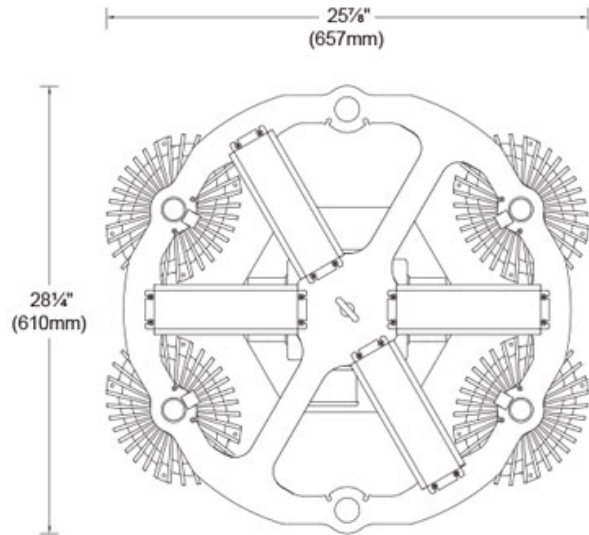
Finish: Silver.

Weight: 39 lbs (17 kg)

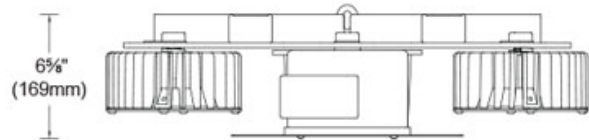
Warranty: 10 years, refer to warranty statement.

Certification: cULus listed and DLC listed.

Ratings: IP66, suitable for damp location.



TOP VIEW



SIDE VIEW

RESET INFO

ORDERING INFO

MODEL	VOLTAGE	FINISH	LED COLOR	OPTIC	DIMMING	LOCATION	LED	CRI
MSLB-2-0404		S			A	A		
VOLTAGE	LED COLOR	OPTIC	DIMMING	LOCATION	LED	CRI		
○ 1 - 120-277V	○ A - 5000K	○ A - Clear	● A - 0-10V	● A - Indoor	○ 0 - RS	○ 1 - VERO	○ 1 - 70 CRI	
○ 2 - 347V	○ B - 4000K	○ C - Frosted					○ 2 - 80 CRI	
		○ K - Frosted drop lense					○ 3 - 90 CRI	

DUE TO CONTINUOUS IMPROVEMENTS, THE INFORMATION HEREIN MAY BE CHANGED WITHOUT NOTICE.

LAST UPDATE: AUGUST 31, 2015

FB - R1



9320 Boul. St-Laurent,
suite 100, Montréal (Québec)
Canada H2N 1N7
P.: 514.687.9114 F.: 514.904.1592
www.modularledsystems.com