

# Traffic Lights/Signal Beacons - 890/895/897/894/ + 494 families

Size comparison Midi/Traffic Lights



Signalisation index

Optical	
LED Permanent Light 890	7
LED Permanent Light 894	6
Permanent Light (bulb) 890	4
Flashing Light Xenon 890	9
Audible	
Multi-tone 190	8
Vocal alarm 190	7
Siren 494	4

## Your benefits

Signal lights and traffic lights from the 890/895/897/494 range provide reliable signalling, both as single lights or as combined signalling lights.

### Modular traffic lights 890 and multi-tone sounder 190:

- Cost-effective traffic light with 25W incandescent bulb or LED traffic light with clear lenses
- Easy installation in just a few steps and with any combination of 4 lights

### Multi-colour variant (RGY):

- Drastic reduction in number of variants by combining three light colours in a single product – Ideal where space is restricted
- Additional high-output audible signalling of up to 110 dB(A) available in combination with multi-tone sounder/vocal alarm 190

### Compact LED traffic light 894/traffic light combination 494 for extreme ambient conditions:

- With high IP65/IP69K protection rating for use in extremely harsh conditions
- The 494 range combines a high-output optical signal with a powerful 90dB siren



## Typical applications

- Garages and car parks
- Access control in building service systems
- Traffic regulation on construction sites
- Signalling for loading bays
- Car washes/washing areas

## Installation options

### Modular traffic light 890:

- Direct mounting or bracket mounting of up to 4 lights with fixing bracket

### Compact LED traffic light 894/494:

- Wall mounting and tube mounting with additional adapter

## Features

### 190 Vocal Alarm:

- The vocal alarm enables the high-output playback of spoken messages, music and tones provided in mp3 format





LED Permanent Beacon



LED Traffic Light Combination with mounting bracket (accessory)



Clear lenses ensure effective signalling even in direct sunlight

**i TECHNICAL SPECIFICATIONS/ORDER SPECIFICATIONS:**

<b>Dimensions (Ø x Height):</b>	150 mm x 154 mm	
<b>Housing:</b>	PC/ABS-Blend, grey	
<b>Lens:</b>	PC, transparent	
<b>Fixing:</b>	Base mounting, bracket mounting (accessory), tube mounting (accessory)	
<b>Cable entry:</b>	From top or bottom with cable gland M20 x 1.5 mm or from the back with rubber grommet Ø 6-12 mm, included in assembly.	
<b>Colours:</b>	Red, green, yellow	
<b>Connection:</b>	CAGE CLAMP® 0.5 - 1.5 mm²	
<b>Installation position:</b>	As required	
<b>Life duration:</b>	Up to 50,000 hrs	

<b>LED Beacon/LED Traffic Light</b>		
<b>Voltage:</b>	12-24 V DC	115-230 V AC
<b>Current consumption:</b>	< 200 mA	< 35 mA
red	<b>890 120 55</b>	<b>890 120 68</b>
green	<b>890 220 55</b>	<b>890 220 68</b>
yellow	<b>890 320 55</b>	<b>890 320 68</b>

<b>LED Permanent Light (RGY)</b>		
<b>Voltage:</b>	12-24 V DC	230 V AC
<b>Current consumption:</b>	< 220 mA	< 40 mA
RGY (red, green, yellow)	<b>890 480 55</b>	<b>890 480 68</b>

**ACCESSORIES:**

<b>FIXING BRACKET</b>	
Fixing bracket for one beacon	<b>975 890 33</b>
Fixing bracket for two beacons	<b>975 890 34</b>
Fixing bracket for three beacons	<b>975 890 35</b>
Fixing bracket for four beacons	<b>975 890 37</b>

Mounting material and connecting grommet included in assembly. Further information can be found on page 183.

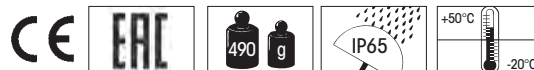
<b>CONNECTING GROMMET</b>	
Connecting grommet for traffic light combinations	<b>975 890 25</b>

**! ADDITIONAL INFORMATION:**

Traffic light configurator at [www.werma.com](http://www.werma.com)

**TECHNICAL DIAGRAMS: see page 181**

Signalisation index	
LED Permanent Light	



890/190

**(LED) Beacon 890/Multi-Tone Sounder 190/  
Vocal alarm 190 Combination**High-output  
traffic light combinationThe fixing bracket can be  
mounted pointing inwards  
or outwards (accessory)**Signalisation index**

LED Permanent Light	7
Vocal alarm	7
Multi-tone siren	8

**TECHNICAL SPECIFICATIONS/ORDER SPECIFICATIONS:****(LED-)Beacon/Sounder 190/Vocal Alarm 190**

<b>Dimensions (Ø x Height):</b>	150 mm x 154 mm (890)
	150 mm x 127 mm (190)
	150 mm x 148 mm (Vocal Alarm 190)
<b>Housing:</b>	PC/ABS-Blend, grey
<b>Lens:</b>	PC, transparent
<b>Fixing:</b>	Base mounting, fixing bracket (accessory)
<b>Cable entry:</b>	From top or bottom with cable gland M20 x 1.5 mm or from the back with rubber grommet Ø 6-12 mm, included in assembly
<b>Connection:</b>	CAGE CLAMP® 0.5 - 1.5 mm <sup>2</sup>

**Vocal Alarm 190**

<b>Sound output:</b>	Adjustable, up to 110 dB
<b>File Transfer:</b>	Via USB connection and provided software
<b>Possible data format:</b>	Mp3 and wav files
<b>Number of sequences:</b>	15 files can be remotely triggered or one sequence with max. 50 files
<b>Suitable for:</b>	Windows®, System requirements - see Handbook
<b>Assembly:</b>	Vocal alarm, USB connection cable and software

**Multi-Tone Sounder 190**

<b>Voltage:</b>	10-30 V DC	115 V AC	230 V AC
<b>Current consumption:</b>	< 180 mA	< 55 mA	< 30 mA
grey	<b>190 000 55</b>	<b>190 000 67</b>	<b>190 000 68</b>

**Vocal Alarm 190**

<b>Voltage:</b>	24 V DC
<b>Current consumption:</b>	< 500 mA Low Power < 1500 mA High Power
grey	<b>190 020 55</b>

LED Beacon 890 see page 177

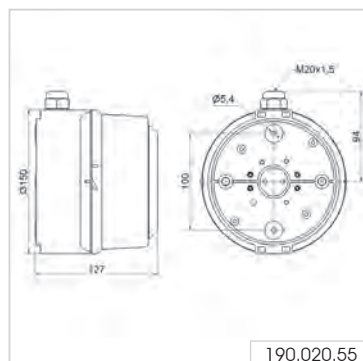
Permanent Beacon 890 see page 180

**ACCESSORIES:**

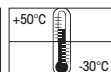
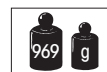
Fixing bracket, tube adaptor and connecting grommet see page 181.

**-tone TYPES AND FREQUENCIES:**

Selectable via DIP switch, see tone table on page 239.

**TECHNICAL DIAGRAM:**

CE



(A)



**TECHNICAL SPECIFICATIONS/ORDER SPECIFICATIONS:**

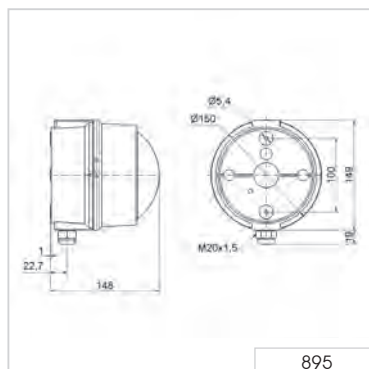
<b>Dimensions (Ø x Height):</b>	150 mm x 148 mm
<b>Housing:</b>	PC/ABS-Blend, grey
<b>Lens:</b>	PC, transparent
<b>Socket:</b>	E27 max. 25 W 2 sockets E14 each with max. 15 W with adhesive stickers E27 max. 15 W
<b>Fixing:</b>	Base mounting, tube mounting and fixing bracket (accessory)
<b>Connection:</b>	CAGE CLAMP® 0.5 - 1.5 mm <sup>2</sup>
<b>Cable entry:</b>	From top or bottom with cable gland M20 x 1.5 mm or from the back with rubber grommet Ø 6-12 mm

<b>Voltage:</b>	12-230 V AC/DC
red	<b>895 100 00</b>
green	<b>895 200 00</b>
yellow	<b>895 300 00</b>
clear	<b>895 400 00</b>
blue	<b>895 500 00</b>

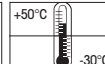
Bulb not included in assembly.

**ACCESSORIES:**

Fixing bracket, additional reflector, Bulbs and LED Bulbs, Adhesive Stickers see Permanent/Traffic Light Beacon (page 181).

**TECHNICAL DIAGRAM:****Signalisation index**

Permanent Light





Permanent Beacon

Traffic Light Combination  
with mounting bracket  
(accessory)**TECHNICAL SPECIFICATIONS/ORDER SPECIFICATIONS:**

<b>Dimensions (Ø x Height):</b>	150 mm x 154 mm
<b>Housing:</b>	PC/ABS-Blend, grey
<b>Lens:</b>	PC, transparent
<b>Socket:</b>	E27 max. 25 W at 890 X00 00 2 sockets each E14 with max. 15 W at 890 X10 00 with adhesive stickers E27 max. 15 W
<b>Fixing:</b>	Base mounting, fixing bracket (accessory), tube mounting (accessory)
<b>Connection:</b>	CAGE CLAMP® 0.5 - 1.5 mm <sup>2</sup>
<b>Cable entry:</b>	From top or bottom with cable gland M20 x 1.5 mm or from the back with rubber

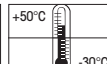
**PERMANENT BEACON**

<b>Voltage:</b>	12-230 V AC/DC
red	<b>890 100 00</b>
green	<b>890 200 00</b>
yellow	<b>890 300 00</b>
clear	<b>890 400 00</b>
blue	<b>890 500 00</b>

Further colours and voltages on request.

**ACCESSORIES:** see next page**Signalisation index**

Permanent Light





Beacon 890 in combination with Multi-Tone Sounder 190 (see page 178)



The adaptor (accessory) allows quick and simple mounting on a tube (Ø 75 mm)



890 with adhesive sticker (accessory)



## ACCESSORIES:

### FIXING BRACKET

Fixing bracket for one beacon	975 890 33
Fixing bracket for two beacons	975 890 34
Fixing bracket for three beacons	975 890 35
Fixing bracket for four beacons	975 890 37

Mounting material and connecting grommet included in assembly.  
Further information can be found on page 183.

### CONNECTING GROMMET

Connecting grommet for traffic light combinations	975 890 25
---	------------

### REFLECTOR

Additional reflector for 890 X00 00	975 890 02
-------------------------------------	------------

### BULBS

LED bulb E27, 24 V	956 X20 75
LED bulb E27, 115 V	956 X20 67
LED bulb E27, 230 V	956 X20 68
For colours see page 184	

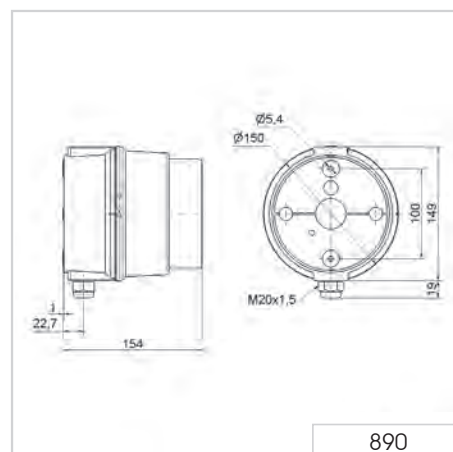
Bulb E27, 24 V / 25 W	955 890 55
Bulb E27, 115 V / 25 W	955 890 67
Bulb E27, 230 V / 25 W	955 890 68
Bulb E14, 230 V / 15 W	955 890 38

### ADHESIVE STICKERS:

→	975 890 52
STOP	975 890 53
START	975 890 54
⚡	975 890 64
✋	975 890 65



## TECHNICAL DIAGRAM:





### **i** TECHNICAL SPECIFICATIONS/ORDER SPECIFICATIONS:

<b>Dimensions (Ø x Height):</b>	150 mm x 148 mm	
<b>Housing:</b>	PC/ABS-Blend, grey	
<b>Lens:</b>	PC, transparent	
<b>Fixing:</b>	Base mounting, tube mounting and fixing bracket (accessory)	
<b>Cable entry:</b>	From top or bottom with cable gland M20 x 1.5 mm or from the back with rubber grommet Ø 6-12 mm	
<b>Connection:</b>	Screw terminal, max. 2.5 mm <sup>2</sup>	
<b>Flash frequency:</b>	1 Hz	
<b>Flash energy:</b>	15 Ws	
<b>Life duration:</b>	4 x 10 <sup>6</sup> flashes	

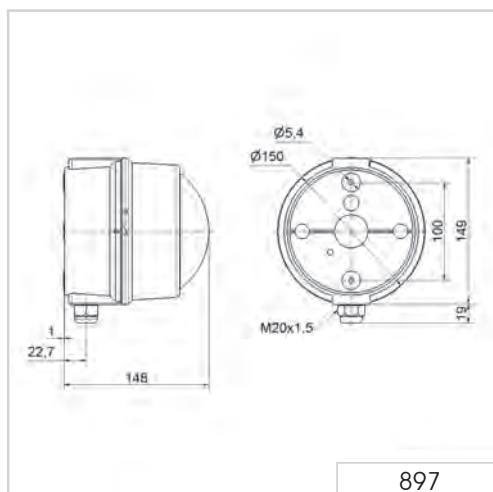
<b>Voltage:</b>	24 V DC	230 V AC
<b>Current consumption:</b>	800 mA	200 mA
red	<b>897 100 55</b>	<b>897 100 68</b>
yellow	<b>897 300 55</b>	<b>897 300 68</b>

Further colours and voltages on request.

### **🏠** ACCESSORIES:

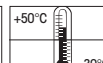
Fixing bracket, adhesive stickers see Permanent/  
Traffic Light Beacon 890 (page 181).

### **📏** TECHNICAL DIAGRAM:



#### Signalisation index

Xenon Flashing Light





Fixing bracket for (LED) Beacons 890 and Multi-Tone Sounder 190

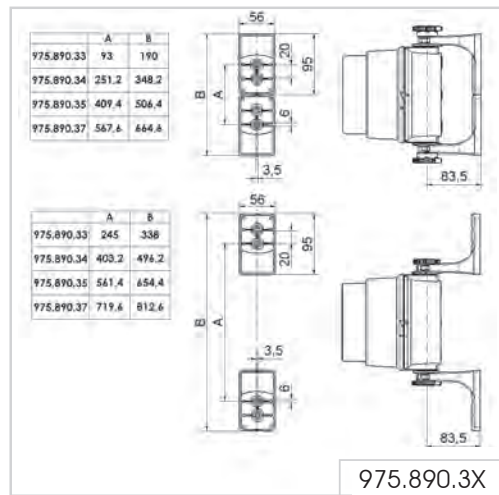


The fixing bracket can be mounted pointing inwards or outwards

**i TECHNICAL SPECIFICATIONS/ORDER SPECIFICATIONS:**

Material Fixing bracket:	PC/ABS-Blend, grey
Material Connecting Grommet:	PA 6.6
Assembly:	Fixing bracket with mounting material and connecting grommet
Suitable for:	LED Beacon/LED Traffic Light 890 Permanent/Traffic Light Beacon 890 Multi-Tone Sounder 190
Fixing bracket for one beacon	<b>975 890 33</b>
Fixing bracket for two beacons	<b>975 890 34</b>
Fixing bracket for three beacons	<b>975 890 35</b>
Fixing bracket for four beacons	<b>975 890 37</b>

**1 2 3 TECHNICAL DIAGRAM:**



1 tier **158 g**    2 tier **175 g**    3 tier **195 g**    4 tier **215 g**    IP65    +50°C / -20°C



**i TECHNICAL SPECIFICATIONS/ORDER SPECIFICATIONS:**

Socket: E27  
 For use with: 890, 895  
 Slight deviations in the form of the bulbs are possible.

Voltage:	24 V AC/DC	115 V AC	230 V AC
Current consumption:	≤ 30 mA	≤ 30 mA	≤ 20 mA
red	<b>956 120 75</b>	<b>956 120 67</b>	<b>956 120 68</b>
green	<b>956 220 75</b>	<b>956 220 67</b>	<b>956 220 68</b>
yellow	<b>956 320 75</b>	<b>956 320 67</b>	<b>956 320 68</b>



Suitable for use in  
 Permanent/Traffic Light  
 Beacons 890 (see page 180)





LED Traffic Light (3 tier)



The direction of the optical signal can be individually adjusted



Clear lenses ensure effective signalling even in direct sunlight

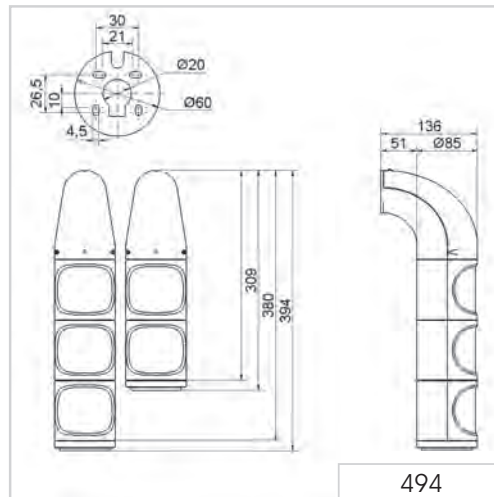
**i TECHNICAL SPECIFICATIONS/ORDER SPECIFICATIONS:**

<b>Dimensions (Ø x Height):</b>	2 tier: 85 mm x 309 mm x 136 mm	
	3 tier: 85 mm x 394 mm x 136 mm	
<b>Housing:</b>	PC/ABS, grey	
<b>Lens:</b>	PC, transparent	
<b>Fixing:</b>	Wall mounting, tube mounting (accessory)	
<b>Cable entry:</b>	Cable diameter max. 13 mm	
<b>Connection:</b>	Screw terminal 0.5 - 1.5 mm <sup>2</sup>	
<b>Installation position:</b>	Vertical/hanging	
<b>Duty cycle:</b>	100 %	
<b>Life duration:</b>	Up to 50,000 hrs	
<b>Voltage:</b>	24 V DC	115-230 V AC
<b>Current consumption:</b>	60 mA (red/yellow)	30 mA per tier
	120 mA (green)	at 230 V/50 Hz
red/green	<b>894 160 55</b>	<b>894 160 68</b>
red/yellow/green	<b>894 180 55</b>	<b>894 180 68</b>

**ACCESSORIES:**

Fixing bracket underneath	<b>975 894 01</b>
---------------------------	-------------------

**TECHNICAL DIAGRAM:**



CE EAC

2 tier 380 g 3 tier 410 g

IP65/IP69k

+50°C -30°C

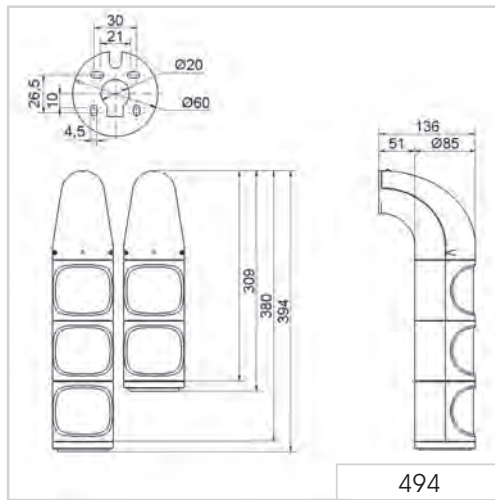


The direction of the optical signal can be individually adjusted

**i TECHNICAL SPECIFICATIONS/ORDER SPECIFICATIONS:**

<b>Dimensions (Ø x Height):</b>	2 tier: 85 mm x 309 mm x 136 mm	
	3 tier: 85 mm x 394 mm x 136 mm	
<b>Housing:</b>	PC/ABS, grey	
<b>Lens:</b>	PC, transparent	
<b>Fixing:</b>	Wall mounting, tube mounting (accessory)	
<b>Cable entry:</b>	Cable diameter max. 1.3 mm	
<b>Connection:</b>	Screw terminal 0.5 - 1.5 mm <sup>2</sup>	
<b>Installation position:</b>	Vertical/hanging	
<b>Duty cycle:</b>	100 %	
<b>Life duration:</b>	Up to 50,000 hrs	
<b>Voltage:</b>	24 V DC	115-230 V AC
<b>Current consumption:</b>	60 mA (red/yellow)	30 mA per tier at 230 V/50 Hz
red/green	<b>894 060 55</b>	<b>894 060 68</b>
red/yellow/green	<b>894 080 55</b>	<b>894 080 68</b>

**TECHNICAL DIAGRAM:**



494

**Signalization index**

LED Permanent Light 6

CE EAC

2 tier 380 g      3 tier 410 g

IP65/ IP69k

+50°C -30°C





LED Traffic Light with integrated siren (2 tier)

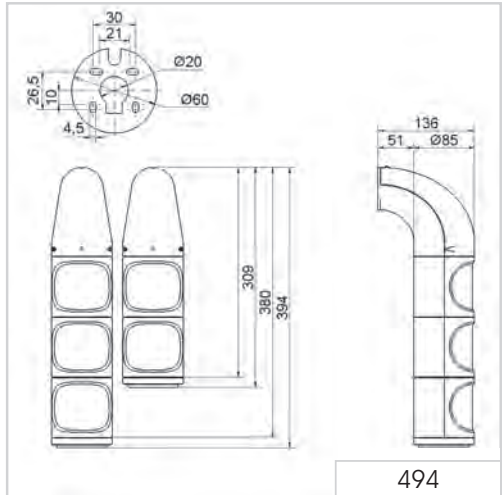


Integrated siren with high sound output

**i TECHNICAL SPECIFICATIONS/ORDER SPECIFICATIONS:**

<b>Dimensions (Ø x Height):</b>		2 tier: 85 mm x 309 mm x 136 mm	
		3 tier: 85 mm x 394 mm x 136 mm	
<b>Housing:</b>		PC/ABS, grey	
<b>Lens:</b>		PC, transparent	
<b>Fixing:</b>		Wall mounting, tube mounting (accessory)	
<b>Cable entry:</b>		Cable diameter max. 13 mm	
<b>Connection:</b>		Screw terminal 0.5 - 1.5 mm <sup>2</sup>	
<b>Installation position:</b>		Vertical/hanging	
<b>Tone type:</b>		Continuous tone	
<b>Duty cycle:</b>		100 %	
<b>Voltage:</b>		24 V DC	115-230 V AC
<b>Current Consumption</b>	LED	60 mA (red/yellow)	30 mA per tier at 230 V/50 Hz
		120 mA (green)	
	Siren	20 mA	30 mA at 230 V/50 Hz
red/green		<b>494 160 55</b>	<b>494 160 68</b>
red/yellow/green		<b>494 180 55</b>	<b>494 180 68</b>

**1 2 3 TECHNICAL DIAGRAM:**



494

Signalization index	
LED Permanent Light	6
Continuous tone	4



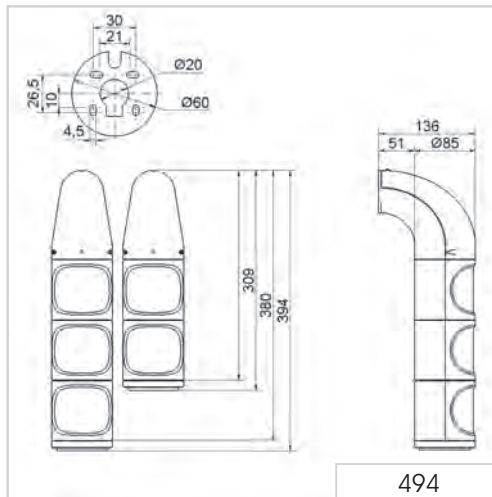


Integrated siren with high sound output



**i TECHNICAL SPECIFICATIONS/ORDER SPECIFICATIONS:**

<b>Dimensions (Ø x Height):</b>	2 tier: 85 mm x 309 mm x 136 mm	
	3 tier: 85 mm x 394 mm x 136 mm	
<b>Housing:</b>	PC/ABS, grey	
<b>Lens:</b>	PC, transparent	
<b>Fixing:</b>	Wall mounting, Tube mounting (accessory)	
<b>Cable entry:</b>	Cable diameter max. 13 mm	
<b>Connection:</b>	Screw terminal 0.5 - 1.5 mm <sup>2</sup>	
<b>Installation position:</b>	Vertical	
<b>Tone type:</b>	Continuous tone	
<b>Duty cycle:</b>	100 %	
<b>Voltage:</b>	24 V DC	115-230 V AC
<b>Current Consumption</b>	LED 60 mA (red/yellow)	30 mA per tier at 230 V/50 Hz
	Siren 20 mA	30 mA at 230 V/50 Hz
red/green	<b>494 060 55</b>	<b>494 060 68</b>
red/yellow/green	<b>494 080 55</b>	<b>494 080 68</b>

**TECHNICAL DIAGRAM:**



**Signalization index**

LED Permanent Light	 6
Continuous tone	 4

