



Fixing bracket for (LED) Beacons 890 and Multi-Tone Sounder 190

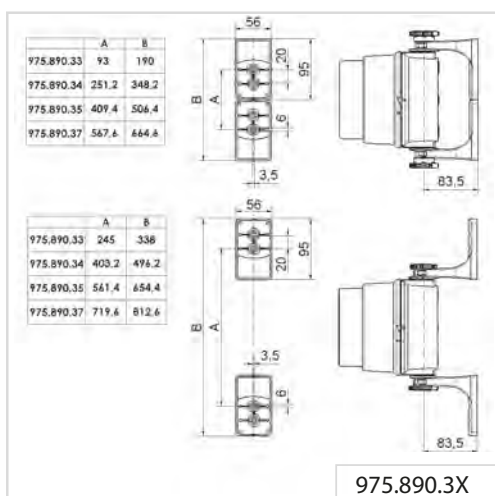


The fixing bracket can be mounted pointing inwards or outwards

i TECHNICAL SPECIFICATIONS/ORDER SPECIFICATIONS:

Material Fixing bracket:	PC/ABS-Blend, grey
Material Connecting Grommet:	PA 6.6
Assembly:	Fixing bracket with mounting material and connecting grommet
Suitable for:	LED Beacon/LED Traffic Light 890 Permanent/Traffic Light Beacon 890 Multi-Tone Sounder 190
Fixing bracket for one beacon	975 890 33
Fixing bracket for two beacons	975 890 34
Fixing bracket for three beacons	975 890 35
Fixing bracket for four beacons	975 890 37

1 2 3 TECHNICAL DIAGRAM:



1 tier 158 g	2 tier 175 g	3 tier 195 g	4 tier 215 g		
-----------------	-----------------	-----------------	-----------------	--	--