

Quick-Finder Evo*SIGNAL* Mini - Horns & Sirens



12 V AC/DC

160 700 74

24 V AC/DC

160 700 75

115-230 V AC

160 700 60

+ Mounting adapter (compulsory!)

Base mounting



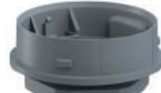
Order no.
260 700 01

Installation mounting M22



Order no.
260 700 03

Installation mounting PG 29



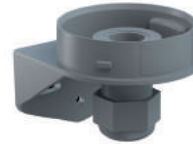
Order no.
260 700 04

Tube mounting



Order no.
260 700 05

Bracket mounting with cable gland

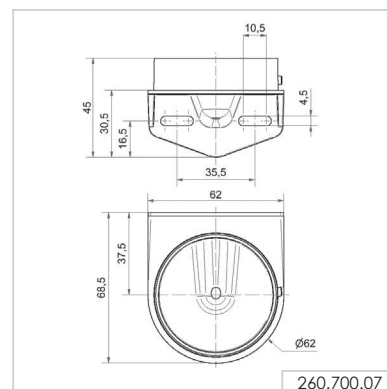
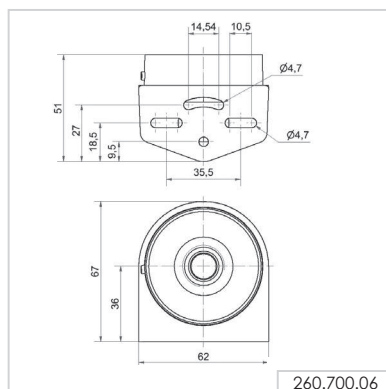
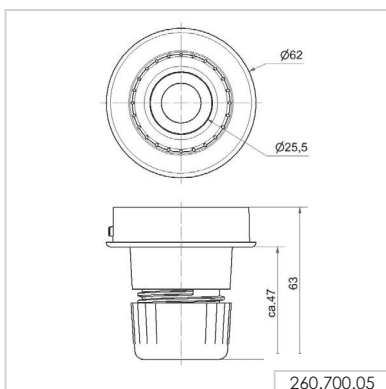
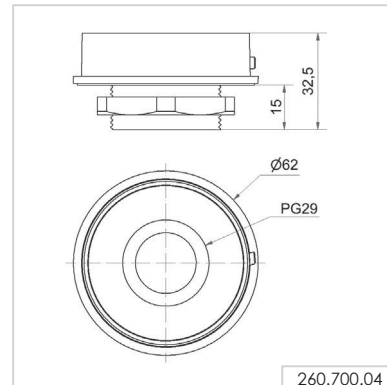
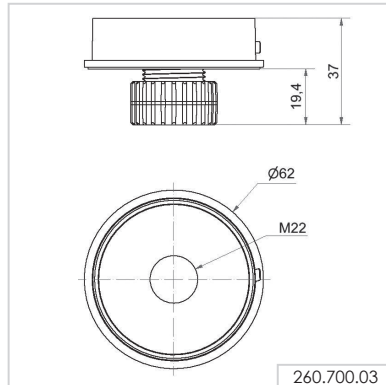
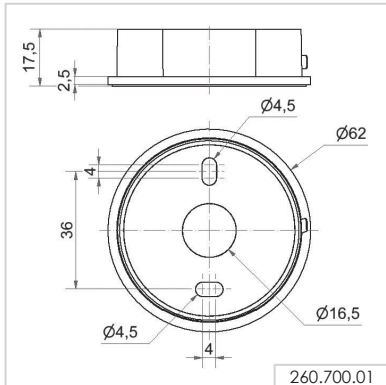


Order no.
260 700 06

Bracket mounting



Order no.
260 700 07



EvoSIGNAL Mini - Horns & Sirens



Bracket mounting with cable gland

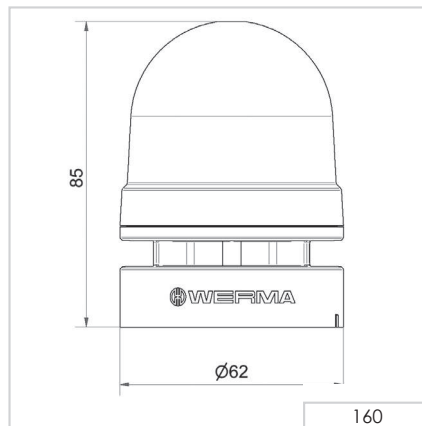
① TECHNICAL SPECIFICATIONS/ORDER SPECIFICATIONS:

Dimensions (Ø x Height):	62 mm x 85 mm		
Housing:	PC/ABS		
Lens:	PC, grey		
Fixing:	Base/Tube/Wall and Inatallation mounting		
Cable entry:	Cable diameter 8-12 mm		
Connection:	Push-In terminal max. 1.5 mm ²		
Tone type:	Pulse or Permanent tone		
Voltage:	12 V AC/DC	24 V AC/DC	115-230 V AC
Current consumption:	≤ 30 mA	≤ 40 mA	≤ 30 mA
Order no.	160 700 74	160 700 75	160 700 60

✂ ACCESSORIES:

Base mounting	260 700 01
Installation mounting M22	260 700 03
Installation mounting PG 29	260 700 04
Tube mounting	260 700 05
Bracket mounting with cable gland	260 700 06
Bracket mounting	260 700 07

↔ TECHNICAL DIAGRAM:



160

260.700.01

260.700.03

260.700.04

260.700.05
260.700.06

260.700.07

Signalisation index	
Permanent	5
Pulse	6