

Ex Horns and Sirens

Your benefits

Ex Horns and Sirens from WERMA have been developed specifically for use in potentially explosive atmospheres. The Ex signalling devices are designed for use in explosive gas and vapour atmospheres (zones 1 and 2).

- Many years of proven use in potentially explosive areas
- Light and compact design for easy mounting
- Diverse signalling options

Typical applications

Signalling of faults or alarms

- during the processing or filling of highly flammable substances (gases and/or vapours and liquids)
- during storage of highly flammable substances (gases and/or vapours and liquids)
- in industrial plants with flammable dust atmospheres (e.g. metal processing, sawmills, mills, powdered milk processing plants)

Installation options

- Wall mounting

Features

- For use with or without the use of a safety barrier (depends on product)
- Proven technology with ATEX and IECEx certifications

761:

- „E“ terminal box for easy connection; approved for use in gas and dust applications (zones 1 and 21)

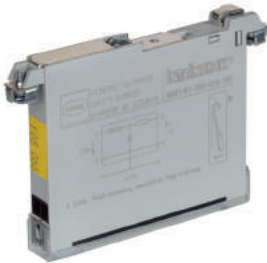


Signalisation index	
Audible	
Continuous Tcone	4
Signal Horn	6

718 Ex Electronic Installation Buzzer



Cap (accessory)



Zener Barrier (accessory)

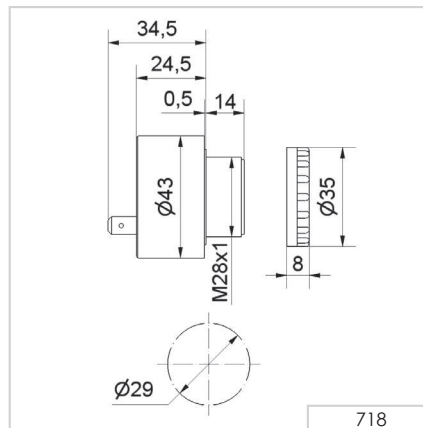
① TECHNICAL SPECIFICATIONS/ORDER SPECIFICATIONS:

Dimensions (Ø x Height):	43 mm x 14 mm (Protrusion from panel)				
Housing:	PC/ABS-Blend				
Connection:	Spades 6.3 x 0.8 mm				
Tone frequency:	c. 2,400 Hz				
Duty cycle:	100 %				
Explosion protection:	Ex II 2G Ex ib IIC T4 / T5 / T6 Gb				
Approval:	DMT 98 ATEX E 005 X				
Maximum values of the Zener barrier:	Ui: 40 V DC, Ii: 660 mA				
Minimum values of the Zener barrier:	For 24 V DC 15 V DC / 20 mA				
Maximum Input Power Pi:	Temp.- classes	Max. surrounding temperature			
		+ 40°C	+ 50°C	+ 60°C	
		T4	Pi = 1.3 W	Pi = 1.2 W	Pi = 1.0 W
		T5	Pi = 0.82 W	Pi = 0.66 W	Pi = 0.52 W
T6	Pi = 0.6 W	Pi = 0.45 W	Pi = 0.3 W		
Voltage:	24 V DC				
Current consumption:	20 mA				
Order No.:	718 000 55				

✳ ACCESSORIES:

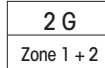
PC/ABS-Blend Cap (IP 43)	975 118 00
Zener Barrier	975 714 01

↔ TECHNICAL DIAGRAM:

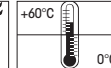


Signalisation index

Continuous tone 4



with cap



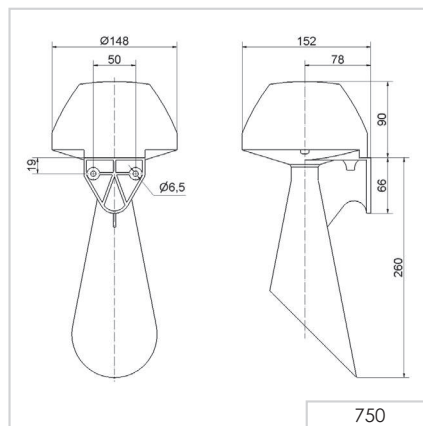


750 Ex Signal Horn

① TECHNICAL SPECIFICATIONS/ORDER SPECIFICATIONS:

Dimensions (L x H x W):	148 mm x 350 mm x 152 mm					
Housing:	PC/ABS-Blend					
Connection:	Cable 3 m, 2 x 0.75 mm ²					
Fixing:	Bracket mounting, sound outlet facing downwards					
Explosion protection:	Ex II 2G Ex mb IIC T5 Gb					
Approval:	BVS 03 ATEX E 118X					
Voltage:	24 V DC	24 V AC	42-48 V AC	115 V AC	230 V AC	
Voltage:	21.6 V ... 26.4 V	21.6 V ... 26.4 V	37.8 V ... 52.8 V	102.5 V ... 126.5 V (50 Hz)	108 V ... 131 V (60 Hz)	208 V ... 250 V (50 Hz)
Current consumption:	350 mA	450 mA	220 mA	205 mA	70 mA	
Order No.:	750 000 55	750 000 65	750 000 66	750 000 67	750 000 68	

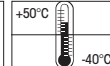
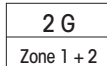
↔ TECHNICAL DIAGRAM:



Signalisation index

Horn

6



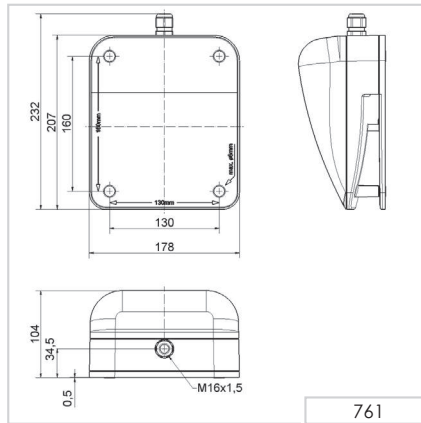
761 Ex Signal Horn



① TECHNICAL SPECIFICATIONS/ORDER SPECIFICATIONS:

Dimensions (L x H x W):	178 mm x 232 mm x 104 mm				
Housing:	PC				
Connection:	CAGE CLAMP® max. 2.5 mm ²				
Cable entry:	Cable gland M16 x 1.5 mm; Cable diameter 6.5-9.5 mm				
Fixing:	Wall mounting, surface mounting				
Explosion protection:	Ex II 2G Ex e mb IIC T5 Gb Ex II 2D Ex tb IIIC T 70°C Db				
Approval:	BVS 03 ATEX E 118X				
Voltage:	24 V DC	24 V AC	48 V AC	115 V AC	230 V AC
Voltage:	21.6 V ... 26.4 V	21.6 V ... 26.4 V	37.8 V ... 52.8 V	102.5 V ... 126.5 V (50 Hz)	108 V ... 131 V (60 Hz)
Current consumption:	350 mA	450 mA	220 mA	205 mA	70 mA
Order No.:	761 000 55	761 000 65	761 000 66	761 000 67	761 000 68

↔ TECHNICAL DIAGRAM:



Signalisation index

Horn 6



2 G Zone 1 + 2	2 D Zone 21 + 22
--------------------------	----------------------------

