

Horns and Sirens

Your benefits

The loud Horns, Sounders and Sirens from WERMA provide safety and security by delivering reliable audible warning when faults occur over longer distances or in noisy environments.

- Quick and easy installation
- Tamper-proof when installed
- Ideal for noisy environments

Typical applications

Fault signalling

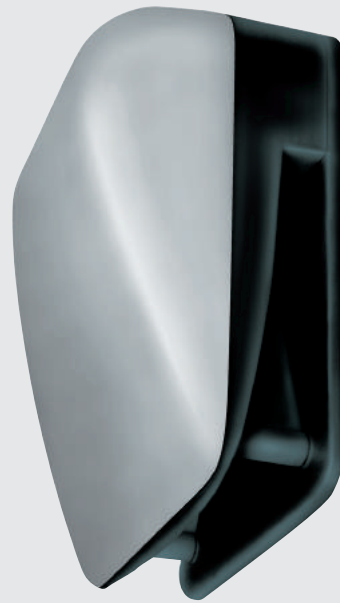
- On machine controllers and on large equipment
- In building service systems (e.g. gas alarm)
- Alarm in the event of overload (e.g. mobile cranes)

Installation options

- Wall mounting

Features

- 574/575 series with ten times longer life duration compared to electromechanical versions
- Up to 8 tones for signalling different statuses



Signalisation index			
	126	574 + 575	570
Signal Horn		7	6
Multi-Tone Sounder	7		
	123	573	
Signal Horn		6	
Alternating Tone	7		





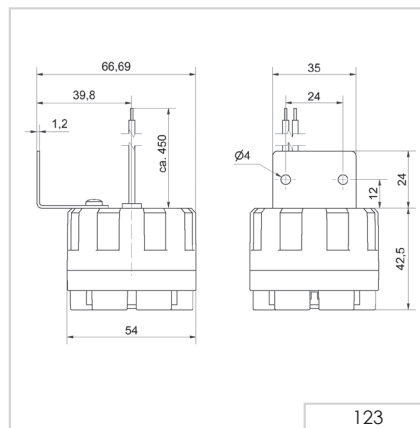
123 Electronic Siren



① TECHNICAL SPECIFICATIONS/ORDER SPECIFICATIONS:

Dimensions (L x H x W):	54 mm x 67 mm x 67 mm	
Housing:	ABS	
Tone frequency:	2.5 / 3.5 Hz	
Tone type:	Alternating	
Connection:	2 wires, c. 450 mm long	
Fixing:	Metal bracket	
Voltage:	12 V DC	24 V DC
Current consumption:	100 mA	100 mA
Order No.:	123 100 54	123 200 55

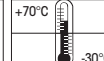
↔ TECHNICAL DIAGRAM:



Signalisation index

Alternating tone

7



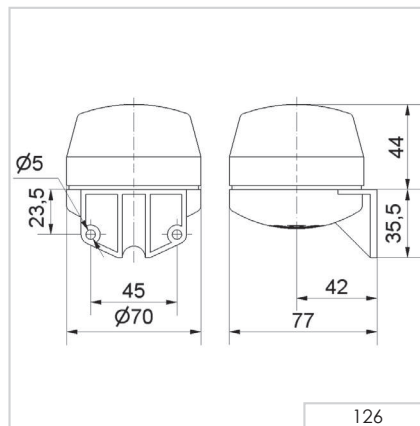
126 Electronic Multi-Tone Sounder



① TECHNICAL SPECIFICATIONS/ORDER SPECIFICATIONS:

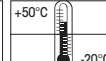
Dimensions (L x H x W):	70 mm x 79.5 mm x 77 mm
Housing:	PC/ABS-Blend
Tone types and frequencies:	4 selectable tones adjustable Continuous tone: c. 2,700 Hz Continuous tone: c. 530 Hz Bell: c. 2,700 Hz (pulse 20 Hz) Pulse tone: c. 2,700 Hz (pulse 1 Hz)
Connection:	Screw terminal 0.5 - 1.5 mm ²
Cable entry:	Cable diameter max. 9 mm
Fixing:	Wall mounting, Sound outlet facing downwards
Voltage:	12-24 V DC
Current consumption:	80 mA
Order No.:	126 052 15

↔ TECHNICAL DIAGRAM:



Signalisation index

Multi-tone sounder 7



570 Electromechanical Signal Horn

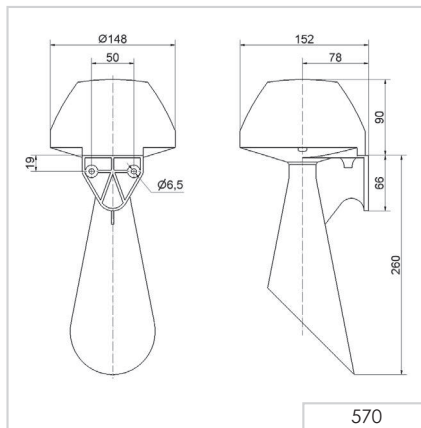


① TECHNICAL SPECIFICATIONS/ORDER SPECIFICATIONS:

Dimensions (L x H x W):	148 mm x 350 mm x 152 mm			
Housing:	PC/ABS-Blend			
Connection:	Screw terminal 0.5 - 2.5 mm ²			
Fixing:	Wall mounting, Sound outlet facing downwards			
Voltage:	24 V AC (50 Hz)	42-48 V AC (50/60 Hz)	115 V AC (50/60 Hz)	230 V AC (50 Hz)
Current consumpt.:	500 mA	250 mA	200 mA	70 mA
Order No.:	570 052 65	570 052 66	570 052 67	570 052 68
Pulse tone (AC)				
Voltage:				230 V AC (50 Hz)
Current consumpt.:				≤ 70 mA
Order No.:				570 100 68
Continuous tone (DC)				
Voltage:	24 V DC		115 V DC	230 V DC
Current consumpt.:	350 mA		150 mA	100 mA
Order No.:	570 052 55		570 052 57	570 052 58

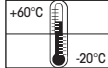
Further voltages on request.

↔ TECHNICAL DIAGRAM:



Signalisation index

Hupe 6



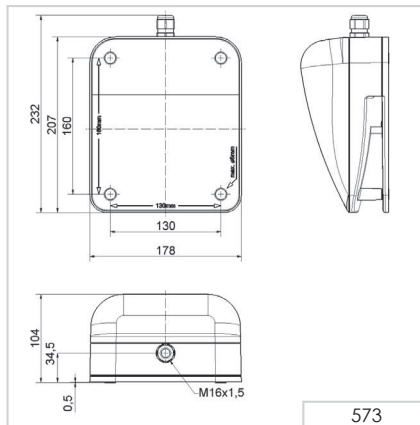
573 Electromechanical Signal Horn



① TECHNICAL SPECIFICATIONS/ORDER SPECIFICATIONS:

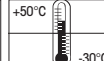
Dimensions (L x H x W):	104 mm x 232 mm x 232 mm				
Fixing dimensions (B x H):	130 mm x 160 mm				
Housing:	PC/ABS-Blend				
Connection:	Screw terminal 0.5 - 2.5 mm ²				
Cable entry:	Cable gland M16 x 1.5 mm Cable diameter 5-10 mm				
Fixing:	Wall mounting, Sound outlet facing downwards				
Voltage:	24 V DC	24 V AC (50 Hz)	42-48 V AC (50/60 Hz)	115 V AC (50/60 Hz)	230 V AC (50 Hz)
Current consumption:	350 mA	500 mA	250 mA	200 mA	70 mA
Order No.:	573 000 55	573 000 65	573 000 66	573 000 67	573 000 68

↔ TECHNICAL DIAGRAM:



Signalisation index

Horn 6





574 Electronic Signal Horn

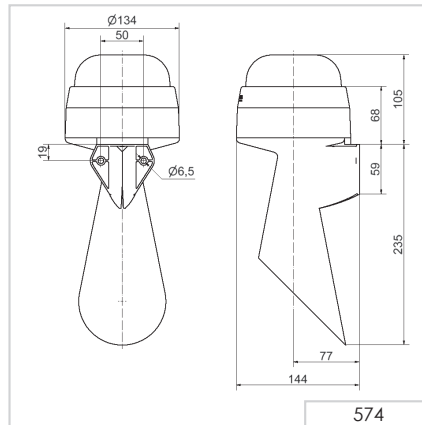


① TECHNICAL SPECIFICATIONS/ORDER SPECIFICATIONS:

Dimensions (Ø x Height):	134 mm x 340 mm		
Housing:	PC/ABS-Blend, grey		
Fixing:	Wall mounting, integrated mounting bracket		
Installation position:	Sound outlet facing downwards		
Connection:	Screw terminal 0.5 - 1.5 mm ²		
Cable entry:	Cable diameter max. 11 mm		
Tone frequency:	C. 110 Hz		
Life duration:	Up to 5,000 hrs		
Voltage:	24 V AC/DC	10-48 V AC/DC*	115-230 V AC
Current consumption:	55 mA	210 mA	30 mA
Order No.:	574 000 75	574 000 70	574 000 60

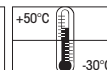
* Current consumption at 10 V / 115 V

↔ TECHNICAL DIAGRAM:



Signalisation index

Horn 7



adjustable



575 Electronic Signal Horn



Quick and simple wall mounting without additional accessories with the integrated mounting bracket

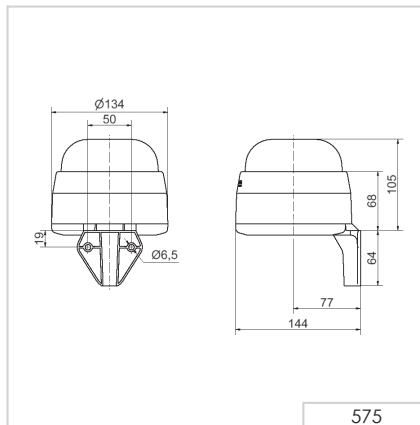


① TECHNICAL SPECIFICATIONS/ORDER SPECIFICATIONS:

Dimensions (L x H x W):	134 mm x 169 mm x 144 mm		
Housing:	PC/ABS-Blend, grey		
Fixing:	Wall mounting, integrated mounting bracket		
Installation position:	Sound outlet facing downwards		
Connection:	Screw terminal 0.5 - 1.5 mm ²		
Cable entry:	Cable diameter max. 11 mm		
Tone frequency:	C, 110 Hz		
Life duration:	Up to 5,000 hrs		
Voltage:	24 V AC/DC	10-48 V AC/DC*	115-230 V AC
Current consumption:	55 mA	210 mA	30 mA
Order No.:	575 000 75	575 000 70	575 000 60

* Current consumption at 10 V / 115 V

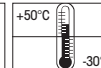
↔ TECHNICAL DIAGRAM:



Signalisation index

Horn

7



adjustable

