

150 LED Permanent Light / Buzzer Combination



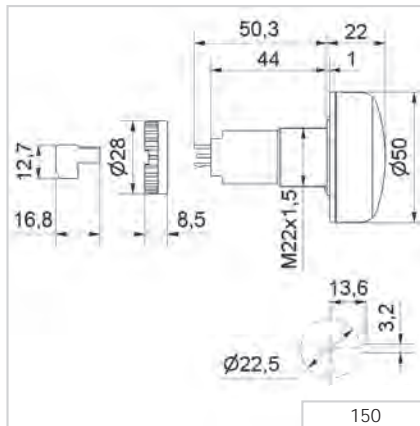
LED Permanent light with continuous tone that can be additionally activated



① TECHNICAL SPECIFICATIONS/ORDER SPECIFICATIONS:

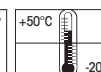
Dimensions (Ø x Height):	50 mm x 22 mm (Protrusion from panel)		
Housing:	PC/ABS-Blend		
Lens:	PC, transparent		
Connection:	Connector plug with screw terminal max. 1.5 mm ²		
Tone type:	Continuous		
Tone frequency:	c. 2.8 kHz		
Duty cycle:	100 %		
Life duration:	Up to 50,000 hrs		
Fixing:	Installation mounting for Ø 22.5 mm (M22 x 1.5 mm) with anti-twist device		
Nut and seal included in assembly.			
Voltage:	24 V DC	115 V AC	230 V AC
Current consumption:	< 50 mA	< 20 mA	< 20 mA
red	150 100 55	150 100 67	150 100 68
yellow	150 300 55	150 300 67	150 300 68

↔ TECHNICAL DIAGRAM:

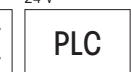


Signalisation index

Continuous tone		3
LED Permanent Light		3



24 V



450 LED Permanent Light/Buzzer Combination with acknowledgement function



LED Permanent light with continuous tone that can be additionally activated



① TECHNICAL SPECIFICATIONS/ORDER SPECIFICATIONS:

Dimensions (Ø x Height):	50 mm x 22 mm (Protrusion from panel)	
Housing:	PC/ABS-Blend	
Lens:	PC, transparent	
Connection:	Screw terminal 1.5 mm ²	
Signal input:	24 V DC	
Acknowledgement output:	Semiconductor-Relay	U _{max} = 30 V I _{max} = 100 mA R _{ON max} = 25 Ohm
Tone type:	Continuous	
Tone frequency:	c. 2.8 kHz	
Duty cycle:	100 %	
Life duration:	Up to 50,000 hrs	
Fixing:	Installation mounting for Ø 22.5 mm (M22 x 1.5 mm)	
Nut and seal included in assembly.		
Voltage:	24 V DC	
Current consumption:	80 mA	
red	450 100 55	
yellow	450 300 55	

! ADDITIONAL INFORMATION:

1

The occurrence of a malfunction or an error is indicated by means of an optical-audible signal.

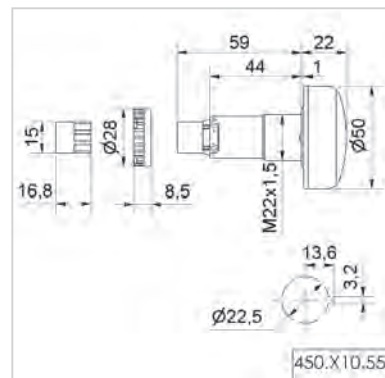
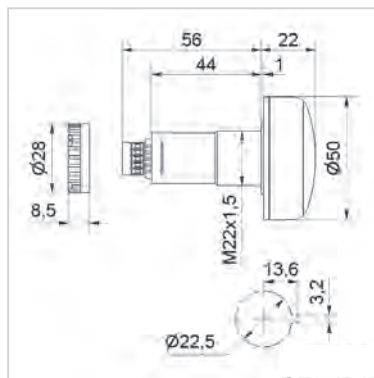
2

The audible signal can be turned off in seconds by lightly pressing the front of the product.

3

The acknowledgement signal is sent to the control unit via an electronic switch and the malfunction is now only indicated by the optical signal.

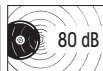
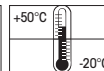
← TECHNICAL DIAGRAM:



The audible signal can be turned off in seconds by lightly pressing the front of the product

Signalisation index

Continuous tone		3
LED Permanent Light		3



450.X00.00

450.X10.55



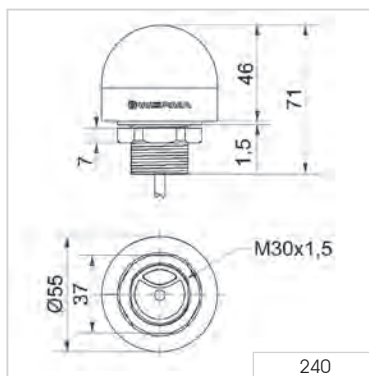
240 LED Installation Beacon (Multicolour) with buzzer



① TECHNICAL SPECIFICATIONS/ORDER SPECIFICATIONS:

Dimensions (Ø x Height):	55 mm x 46 mm (Protrusion from panel)			
Housing:	PC/ABS-Blend, black			
Lens:	PC, transparent			
Fixing:	Installation mounting M30			
Colour options:	Red, yellow, green, white, blue, violet, turquoise (Multicolour) Red, yellow, green (Tricolour)			
Tone types and frequency:	Pulse tone, 3400 Hz			
Life duration light:	Up to 50,000 hrs			
Life duration buzzer:	Up to 5,000 hrs			
With Buzzer	Voltage	Current consumption	Plug M12	Cable
Tricolour (RGY)	24 V DC	45 mA	240 240 55	240 230 55
Multicolour (RGB)	10-30 V DC	80 mA	240 140 50	240 130 50

↔ TECHNICAL DIAGRAM:



240.240.55 240.140.50 240.230.55 240.130.50

