

# Quick-Finder EvoSIGNAL Mini - Combinations



12 V AC/DC		24 V AC/DC		115-230 V AC	
TwinLIGHT	TwinFLASH	TwinLIGHT	TwinFLASH	TwinLIGHT	TwinFLASH
Order No.	Order No.	Order No.	Order No.	Order No.	Order No.
460 110 74	460 120 74	460 110 75	460 120 75	460 110 60	460 120 60
460 210 74	460 220 74	460 210 75	460 220 75	460 210 60	460 220 60
460 310 74	460 320 74	460 310 75	460 320 75	460 310 60	460 320 60
460 410 74	460 420 74	460 410 75	460 420 75	460 410 60	460 420 60
460 510 74	460 520 74	460 510 75	460 520 75	460 510 60	460 520 60

## + Mounting adapter (compulsory!)

Base mounting



Order no.  
260 700 01

Installation mounting  
M22



Order no.  
260 700 03

Installation mounting  
PG 29



Order no.  
260 700 04

Tube mounting



Order no.  
260 700 05

Bracket mounting  
with cable gland

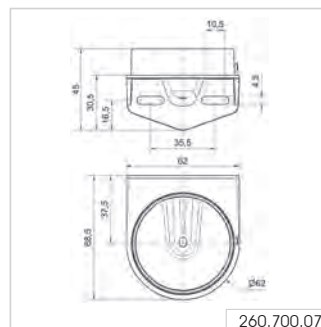
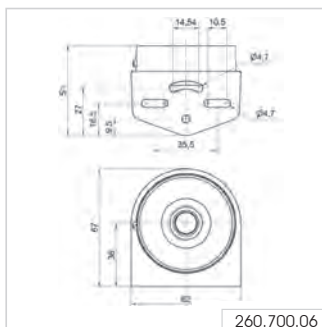
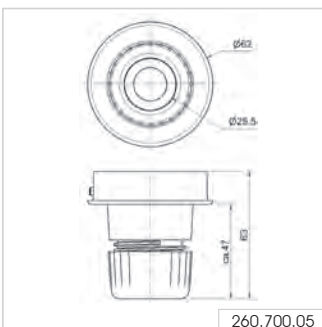
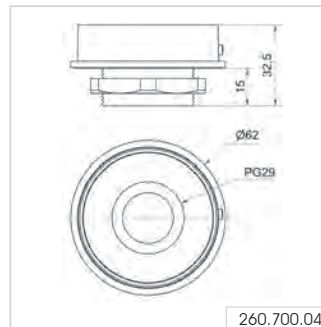
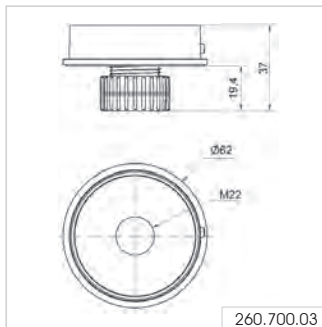
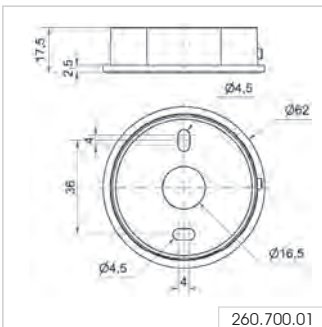


Order no.  
260 700 06

Bracket mounting



Order no.  
260 700 07



# EvoSIGNAL Mini - Combinations



Installation mounting M 22



Tube mounting



Installation mounting PG 29

## ① TECHNICAL SPECIFICATIONS/ORDER SPECIFICATIONS:

Dimensions (Ø x Height):	62 x 85 mm		
Housing:	PC/ABS		
Lens:	PC, transparent		
Connection:	Push-In terminal max. 1.5 mm <sup>2</sup>		
Cable entry:	Cable diameter 8-12 mm		
Tone type:	Continuous or Pulse tone		
Fixing:	Base/Tube/Wall/ Installation mounting		
Flashing/Blinking frequency:	1 Hz		

### TwinLIGHT

Voltage:	12 V AC/DC	24 V AC/DC	115-230 V AC
Current consumption:	≤ 120 mA	≤ 115 mA	≤ 75 mA
red	<b>460 110 74</b>	<b>460 110 75</b>	<b>460 110 60</b>
green	<b>460 210 74</b>	<b>460 210 75</b>	<b>460 210 60</b>
yellow	<b>460 310 74</b>	<b>460 310 75</b>	<b>460 310 60</b>
white	<b>460 410 74</b>	<b>460 410 75</b>	<b>460 410 60</b>
blue	<b>460 510 74</b>	<b>460 510 75</b>	<b>460 510 60</b>

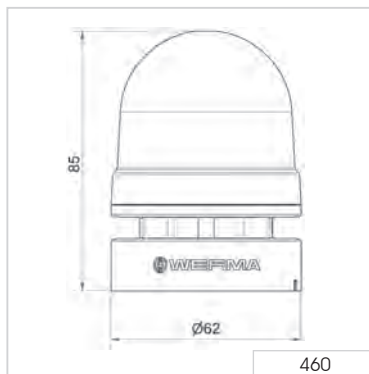
### TwinFLASH

Voltage:	12 V AC/DC	24 V AC/DC	115-230 V AC
Current consumption:	≤ 100 mA	≤ 115 mA	≤ 75 mA
red	<b>460 120 74</b>	<b>460 120 75</b>	<b>460 120 60</b>
green	<b>460 220 74</b>	<b>460 220 75</b>	<b>460 220 60</b>
yellow	<b>460 320 74</b>	<b>460 320 75</b>	<b>460 320 60</b>
white	<b>460 420 74</b>	<b>460 420 75</b>	<b>460 420 60</b>
blue	<b>460 520 74</b>	<b>460 520 75</b>	<b>460 520 60</b>

## ✂ ACCESSORIES:

Base mounting	<b>260 700 01</b>
Installation mounting M22	<b>260 700 03</b>
Installation mounting PG 29	<b>260 700 04</b>
Tube mounting	<b>260 700 05</b>
Bracket mounting with cable gland	<b>260 700 06</b>
Bracket mounting	<b>260 700 07</b>

## ↔ TECHNICAL DIAGRAM:



Signalisation index	
TwinLIGHT	4
TwinFLASH	5
Continuous	5
Pulse	6

