

Quick-Finder EvoSIGNAL Maxi - LED Signal Beacon



12/24 V AC/DC		
TwinLIGHT	TwinFLASH	Rotating
Order no.	Order no.	Order no.
262 110 70	262 120 70	262 140 70
262 210 70	262 220 70	262 240 70
262 310 70	262 320 70	262 340 70
262 410 70	262 420 70	262 440 70
262 510 70	262 520 70	262 540 70

115-230 V AC		
TwinLIGHT	TwinFLASH	Rotating
Order no.	Order no.	Order no.
262 110 60	262 120 60	262 140 60
262 210 60	262 220 60	262 240 60
262 310 60	262 320 60	262 340 60
262 410 60	262 420 60	262 440 60
262 510 60	262 520 60	262 540 60

+ Mounting adapter (compulsory!)

Base mounting



Order no.
262 700 01

Base mounting with cable exit at side



Order no.
262 700 02

Bracket mounting with cable gland

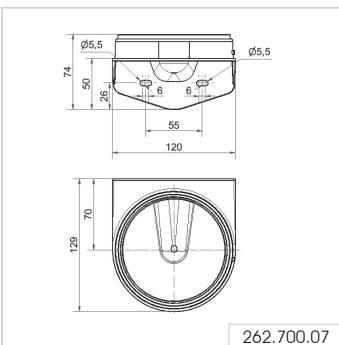
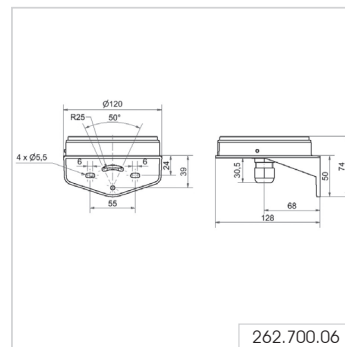
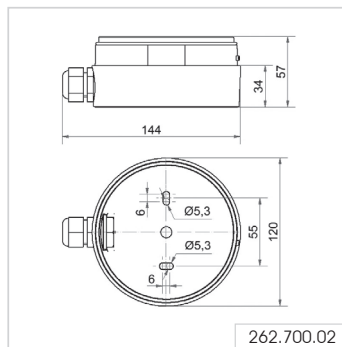
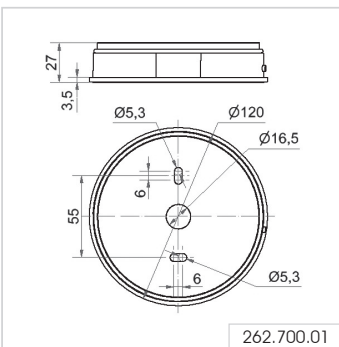


Order no.
262 700 06

Bracket mounting with concealed cable entry



Order no.
262 700 07





Bracket mounting with cable gland



Base mounting with cable exit at side

EvoSIGNAL Maxi - LED Signal Beacon

① TECHNICAL SPECIFICATIONS/ORDER SPECIFICATIONS:

Dimensions (Ø x Height):	120 mm x 173 mm
Housing:	PC/ABS
Lens:	PC, transparent
Fixing:	Base/Wall/Tube mounting
Cable entry:	Cable Diameter 8-12 mm
Connection:	Push-In terminal max. 1.5 mm ²
Rotation rate:	180 r.p.m.
Flash/Blinking frequency:	1 Hz

TwinLIGHT		
Voltage:	12/24 V AC/DC	115-230 V AC
Current consumption:	≤ 700 mA	≤ 165 mA
red	262 110 70	262 110 60
green	262 210 70	262 210 60
yellow	262 310 70	262 310 60
white	262 410 70	262 410 60
blue	262 510 70	262 510 60

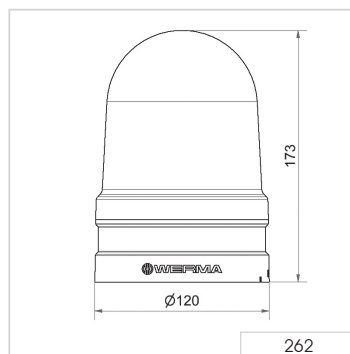
TwinFLASH		
Voltage:	12/24 V AC/DC	115-230 V AC
Current consumption:	≤ 760 mA	≤ 165 mA
red	262 120 70	262 120 60
green	262 220 70	262 220 60
yellow	262 320 70	262 320 60
white	262 420 70	262 420 60
blue	262 520 70	262 520 60

Rotating		
Voltage:	12/24 V AC/DC	115-230 V AC
Current consumption:	≤ 550 mA	≤ 170 mA
red	262 140 70	262 140 60
green	262 240 70	262 240 60
yellow	262 340 70	262 340 60
white	262 440 70	262 440 60
blue	262 540 70	262 540 60

✦ ACCESSORIES:

Base mounting	262 700 01
Base mounting with cable exit at side	262 700 02
Bracket mounting with cable gland	262 700 06
Bracket mounting with concealed cable entry	262 700 07

↔ TECHNICAL DIAGRAM:



Signalisierungsindex

TwinLIGHT	8
TwinFLASH	10
Rotating	9

