


# EvoSIGNAL Midi - LED Signal Beacon



12/24 V AC/DC		
TwinLIGHT	TwinFLASH	Rotating
Order no.	Order no.	Order no.
261 110 70	261 120 70	261 140 70
261 210 70	261 220 70	261 240 70
261 310 70	261 320 70	261 340 70
261 410 70	261 420 70	261 440 70
261 510 70	261 520 70	261 540 70
<b>TriCOLOUR</b>		
261 430 70		

115-230 V AC		
TwinLIGHT	TwinFLASH	Rotating
Order no.	Order no.	Order no.
261 110 60	261 120 60	261 140 60
261 210 60	261 220 60	261 240 60
261 310 60	261 320 60	261 340 60
261 410 60	261 420 60	261 440 60
261 510 60	261 520 60	261 540 60
<b>TriCOLOUR</b>		
261 430 60		

## + Mounting adapter (compulsory!)

Base mounting



Order no.  
261 700 01

Base mounting with cable gland



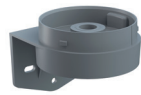
Order no.  
261 700 02

Tube mounting



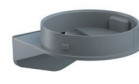
Order no.  
261 700 05

Bracket mounting with cable gland



Order no.  
261 700 06

Bracket mounting

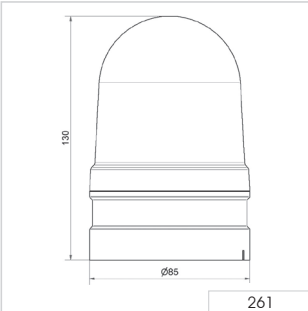


Order no.  
261 700 07

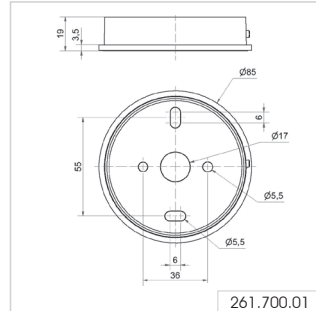
Horn



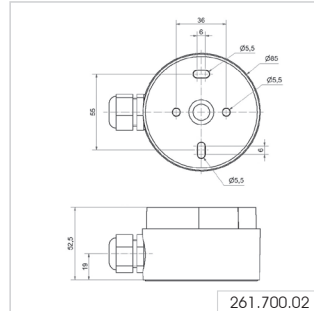
Order no.  
261 700 03



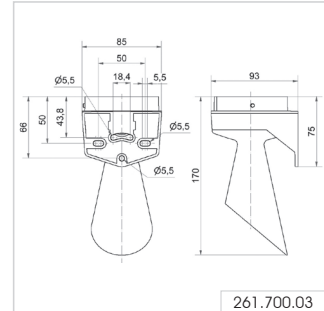
261



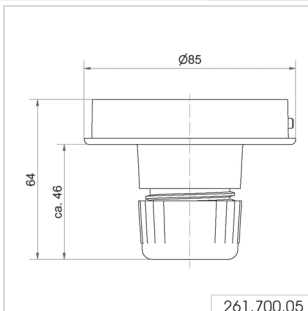
261.700.01



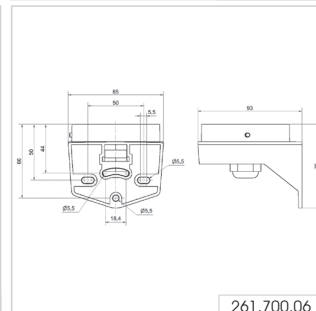
261.700.02



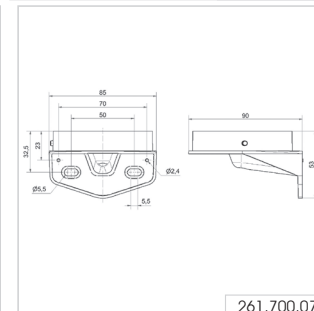
261.700.03



261.700.05



261.700.06



261.700.07





Bracket mounting



Tube mounting

# EvoSIGNAL Midi - LED Signal Beacon

## ① TECHNICAL SPECIFICATIONS/ORDER SPECIFICATIONS:

Dimensions (Ø x Height):	85 mm x 130 mm	
Housing:	PC/ABS, grey, high impact	
Lens:	PC, transparent	
Fixing:	Base/Tube/Wall mounting	
Cable entry:	Cable Diameter 8-12 mm	
Connection:	Push-In terminal max. 1.5 mm <sup>2</sup>	

### TwinLIGHT

Blinking/Flash frequency:	1 Hz	
Voltage:	12/24 V AC/DC	115-230 V AC
Current consumption:	≤ 185 mA	≤ 65 mA
red	<b>261 110 70</b>	<b>261 110 60</b>
green	<b>261 210 70</b>	<b>261 210 60</b>
yellow	<b>261 310 70</b>	<b>261 310 60</b>
white	<b>261 410 70</b>	<b>261 410 60</b>
blue	<b>261 510 70</b>	<b>261 510 60</b>

### TwinFLASH

Blinking/Flash frequency:	1 Hz	
Voltage:	12/24 V AC/DC	115-230 V AC
Current consumption:	≤ 850 mA	≤ 110 mA
red	<b>261 120 70</b>	<b>261 120 60</b>
green	<b>261 220 70</b>	<b>261 220 60</b>
yellow	<b>261 320 70</b>	<b>261 320 60</b>
white	<b>261 420 70</b>	<b>261 420 60</b>
blue	<b>261 520 70</b>	<b>261 520 60</b>

### Rotation

Rotation rate:	180 r.p.m.	
Voltage:	12/24 V AC/DC	115-230 V AC
Current consumption:	≤ 130 mA	≤ 110 mA
red	<b>261 140 70</b>	<b>261 140 60</b>
green	<b>261 240 70</b>	<b>261 240 60</b>
yellow	<b>261 340 70</b>	<b>261 340 60</b>
white	<b>261 440 70</b>	<b>261 440 60</b>
blue	<b>261 540 70</b>	<b>261 540 60</b>

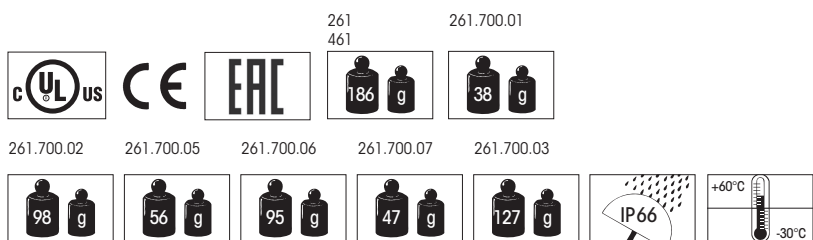
### TriCOLOUR

Voltage:	12/24 V AC/DC	115-230 V AC
Current consumption:	≤ 145 mA	≤ 50 mA
clear	<b>261 430 70</b>	<b>261 430 60</b>

## ✦ ACCESSORIES:

Base mounting	<b>261 700 01</b>
Base mounting with cable gland	<b>261 700 02</b>
Tube mounting	<b>261 700 05</b>
Bracket mounting with cable gland	<b>261 700 06</b>
Bracket mounting	<b>261 700 07</b>
Horn	<b>261 700 03</b>

## ↔ TECHNICAL DIAGRAM:



### Signalisation index

TwinLIGHT	<b>6</b>
TwinFLASH	<b>8</b>
Rotating	<b>7</b>