

Quick Finder EvoSIGNAL Mini - LED Signal Beacon



12 V AC/DC	
TwinLIGHT	TwinFLASH
Order no.	Order no.
260 110 74	260 120 74
260 210 74	260 220 74
260 310 74	260 320 74
260 410 74	260 420 74
260 510 74	260 520 74

24 V AC/DC	
TwinLIGHT	TwinFLASH
Order no.	Order no.
260 110 75	260 120 75
260 210 75	260 220 75
260 310 75	260 320 75
260 410 75	260 420 75
260 510 75	260 520 75

115-230 V AC	
TwinLIGHT	TwinFLASH
Order no.	Order no.
260 110 60	260 120 60
260 210 60	260 220 60
260 310 60	260 320 60
260 410 60	260 420 60
260 510 60	260 520 60



TriCOLOUR

260 430 75



+ Mounting adapter (compulsory!)

Base mounting



Order no.
260 700 01

Installation mounting M22



Order no.
260 700 03

Installation mounting PG 29



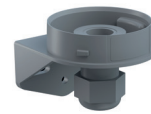
Order no.
260 700 04

Tube mounting



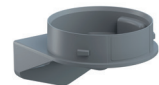
Order no.
260 700 05

Bracket mounting with cable gland

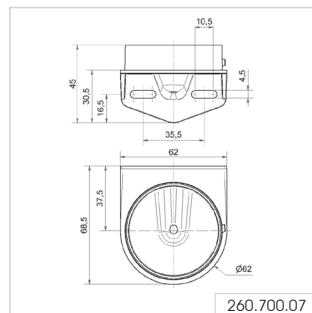
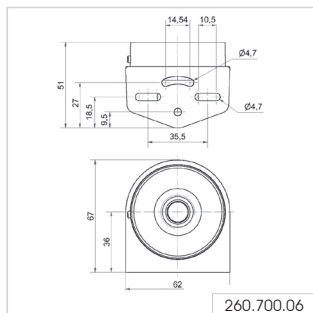
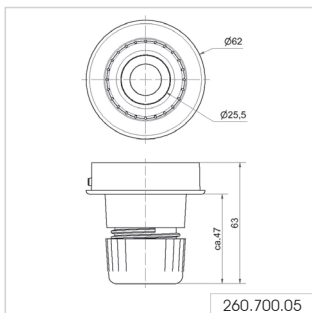
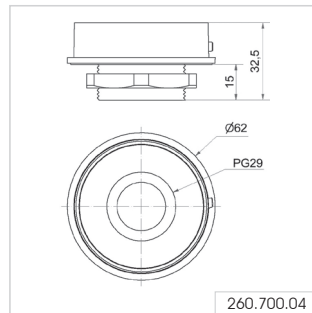
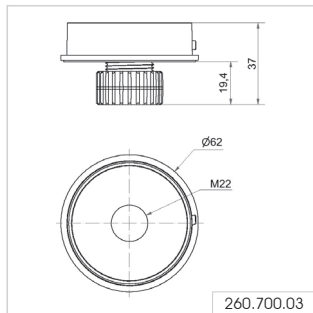
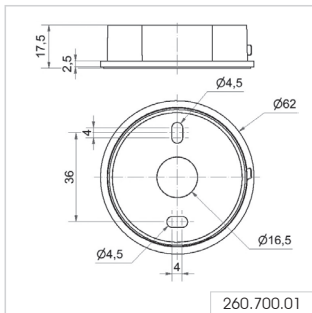


Order no.
260 700 06

Bracket mounting



Order no.
260 700 07





Tube mounting



Bracket mounting with cable gland

EvoSIGNAL Mini - LED Signal Beacon

① TECHNICAL SPECIFICATIONS/ORDER SPECIFICATIONS:

Dimensions (Ø x Height):	62 mm x 85 mm		
Housing:	PC-ABS, grey, high impact		
Lens:	PC, transparent		
Fixing:	Base/Installation7Tube/Wall mounting		
Cable entry:	Cable diameter 8-12 mm		
Connection:	Push-In terminal max.1.5 mm ²		
Flash/Blink frequency:	1 Hz		

TwinLIGHT (Permanent/Blinking)

Voltage:	12 V AC/DC	24 V AC/DC	115-230 V AC
Current consumption:	≤ 90 mA	≤ 75 mA	≤ 45 mA
red	260 110 74	260 110 75	260 110 60
green	260 210 74	260 210 75	260 210 60
yellow	260 310 74	260 310 75	260 310 60
white	260 410 74	260 410 75	260 410 60
blue	260 510 74	260 510 75	260 510 60

TwinFLASH (Flash/EVS)

Voltage:	12 V AC/DC	24 V AC/DC	115-230 V AC
Current consumption:	≤ 70 mA	≤ 75 mA	≤ 45 mA
red	260 120 74	260 120 75	260 120 60
green	260 220 74	260 220 75	260 220 60
yellow	260 320 74	260 320 75	260 320 60
white	260 420 74	260 420 75	260 420 60
blue	260 520 74	260 520 75	260 520 60

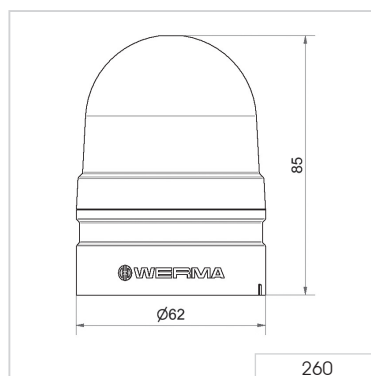
TriCOLOUR

Voltage:		24 V AC/DC	
Current consumption:		≤ 90 mA	
Order no.		260 430 75	

✳ ACCESSORIES:

Base mounting	260 700 01
Installation mounting M22	260 700 03
Installation mounting PG 29	260 700 04
Tube mounting	260 700 05
Bracket mounting with cable gland	260 700 06
Bracket mounting	260 700 07

↔ TECHNICAL DIAGRAM:



Signalisation index

TwinLIGHT	4
TwinFLASH	5

