

Heavy Duty Combination – Multi-Tone Siren with Xenon Flash

Your benefits

The WERMA Heavy Duty Combination - Multi-Tone Siren with Xenon Flash features a very robust housing. The combination device provides safety and security through reliable, loud signalling in particularly harsh environments. Up to 120 dB for use in extremely noisy environments and signalling over long distances.

- Multiple visual and audible escalation levels possible
- Includes standardised tones (including those used in fire alarms)
- Up to 42 tones for signalling various statuses

Typical applications

Signalling of faults or alarms

- Outdoors in extreme conditions
- In larger industrial plants
- As an evacuation alarm

Installation options

- Wall mounting

Features

- High protection rating IP66
- Multi-voltage versions available



Size comparison Heavy Duty / Design



	Siganlisation index		
	439	441	442
Multi-Tone Sounder	6	8	10
Xenon Flash	4	5	5-6



439 Xenon Flash / Multi-Tone Sounder Combination (105 dB)



① TECHNICAL SPECIFICATIONS/ORDER SPECIFICATIONS:

Dimensions (L x H x W):	136 mm x 138 mm x 119 mm	
Housing:	ABS	
Connection:	Screw terminal 0.28-2.5 mm ²	
Cable entry:	Cable gland M20 x 1.5 mm (not included in assembly)	
Flash frequency:	1 Hz	
Flash energy	1.6 Ws	
Tone type and frequency:	Selectable via DIP switch, 2 tones can be externally triggered	
Voltage:	9-60 V DC	110-230 V AC
Current consumption:	230 mA (24 V)	30 mA (230 V)
Housing/Flash		
red / red	439 010 55	439 010 68
red / yellow	439 030 55	439 030 68
grey / red	439 110 55	439 110 68
grey / yellow	439 130 55	439 130 68

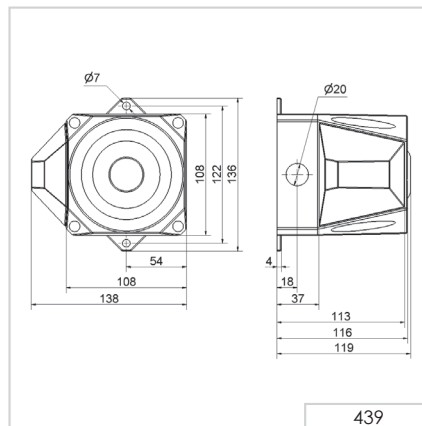
✂ ACCESSORIES:

Cable gland M20 x 1.5 mm (for cable strain relief)	975 444 01
Protection rating IP 65 is guaranteed even without cable gland	

♪ TONE TYPES AND FREQUENCIES:

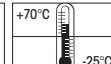
For further details see www.werma.com.

↔ TECHNICAL DIAGRAMS:



Signalisation index

Multi-Tone Sounder	6
Xenon Flash	4



441 Xenon Flash / Multi-Tone Sounder Combination (110 dB)



① TECHNICAL SPECIFICATIONS/ORDER SPECIFICATIONS:

Dimensions (L x H x W):	165 mm x 169 mm x 132 mm	
Housing:	PC/ABS-Blend	
Connection:	Screw terminal 0.28-2.5 mm ²	
Cable entry:	Cable gland M20 x 1.5 mm (not included in assembly)	
Flash frequency:	1 Hz	
Flash energy	2.5 Ws	
Tone type and frequency:	Selectable via DIP switch, 2 tones can be externally triggered	
Voltage:	9-60 V DC	230 V AC
Current consumption:	230 mA	35 mA
Housing/Flash		
red / red	441 010 55	441 010 68
red / yellow	441 030 55	441 030 68
grey / red	441 110 55	441 110 68
grey / yellow	441 130 55	441 130 68

✂ ACCESSORIES:

Cable gland M20 x 1.5 mm (for cable strain relief)

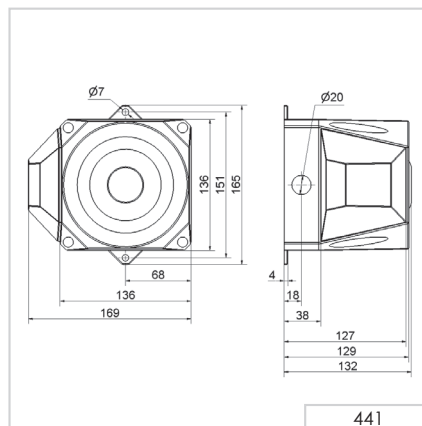
Protection rating IP 65 is guaranteed even without cable gland

975 444 01

🎵 TONE TYPES AND FREQUENCIES:

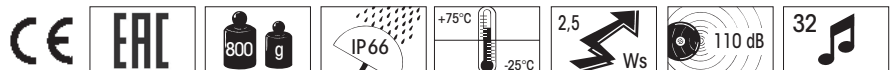
For further details see www.werma.com.

↔ TECHNICAL DIAGRAMS:



Signalisation index

Multi-Tone Sounder	8
Xenon Flash	5



442 Xenon Flash / Multi-Tone Sounder Combination (120 dB)



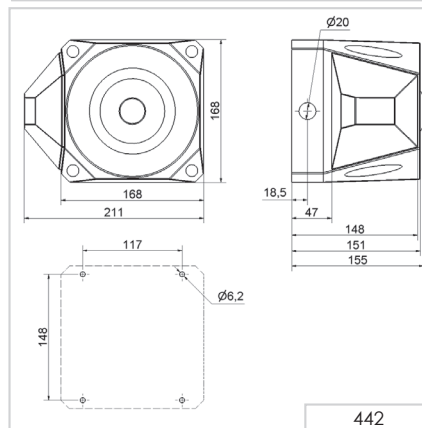
① TECHNICAL SPECIFICATIONS/ORDER SPECIFICATIONS:

Dimensions (L x H x W):	168 mm x 211 mm x 155 mm	
Housing:	PC/ABS-Blend	
Connection:	Screw terminal 0.28-2.5 mm ²	
Cable entry:	Cable gland M20 x 1.5 mm (not included in assembly)	
Tone type and frequency:	Selectable via DIP switch, 3 tones externally triggered see table on page 235	
Voltage:	18-30 V DC	115/230 V AC
Current cons. Multi Tone Sounder:	450 mA	130/65 mA
Current consumption Flash:	127-389 mA (dependent on voltage and flash frequency)	- /15 mA (dependent on voltage and flash frequency)
Flash frequency	0.75 Hz/1 Hz	1.25 Hz/2 Hz
Flash energy	3.5 Ws	2 Ws
Housing/Flash		1 Hz (Flash can only be operated with 230 V)
red / red	442 010 55	442 010 68
red / yellow	442 030 55	442 030 68
grey / red	442 110 55	442 110 68
grey / yellow	442 130 55	442 130 68

✂ ACCESSORIES:

Cable gland M20 x 1.5 mm (for cable strain relief) Protection rating IP 65 is guaranteed even without cable gland	975 444 01
--	-------------------

↔ TECHNICAL DIAGRAMS:



Signalisation index	
Multi-Tone Sounder	10
Xenon Flash	5-6

442 XX0 55 442 XX0 68

