

# Mini Installation Beacons - 239/240

## Your benefits

WERMA's mini installation beacons are perfect for use on machinery, and control panels. The colours can be set quite simply by means of binary inputs.

- Up to five different colours with just one light
- Low lens, where space is restricted
- Raised lens for best visibility also from the side

## Typical applications

Signalling faults and statuses

- On control consoles of machinery
- In machine housings
- On control panels

## Installation options

- M22 single-hole mounting (239)
- M30 single-hole mounting (240)

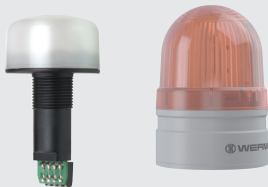
## Features

- Bit-encoded actuation allows the three basic colours green, yellow and red to be displayed using just two PLC outputs. With a third output, white and blue can also be activated.
- With Spec. V 3.0, the special AS interface version is suitable for addressing (A/B mode) up to 62 modules – without an external power supply (239)





### Size comparison

Mini 239/EvoSIGNAL Mini



### Signalisation index

Optical		
LED Permanent Light (multicolour) 239		3
LED Permanent Light (multicolour) 240		4

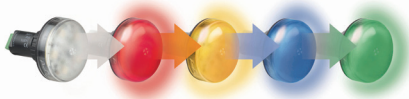
# 239 LED Installation Beacon (Multicolour)



LED Installation Beacon (Multicolour)



LED Installation Beacon (Multicolour) with raised lens



Five colours in one beacon: red, yellow, green, white and blue

## ① TECHNICAL SPECIFICATIONS/ORDER SPECIFICATIONS:

Dimensions (Ø x Height):	50 mm x 22 mm (Protrusion from panel) 50 mm x 32 mm (Protrusion from panel)
Housing:	PC/ABS-Blend, black
Lens:	PC, transparent
Fixing:	Installation mounting for Ø 22.5 mm (M22 x 1.5 mm)
Connection:	Screw terminal max. 0.5 mm <sup>2</sup> (239 480 55) Push In max. 1.5 mm <sup>2</sup> (239 482 55)
Colour options:	Red, yellow, green, white, blue (multicolour)
Life duration:	Up to 50,000 hrs
Nut and seal included in assembly.	
Voltage:	24 V DC
Current consumption:	Max. 75 mA
Low lens, clear	<b>239 480 55</b>
Raised lens, opaque	<b>239 482 55</b>

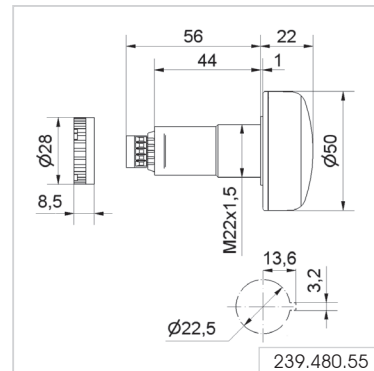
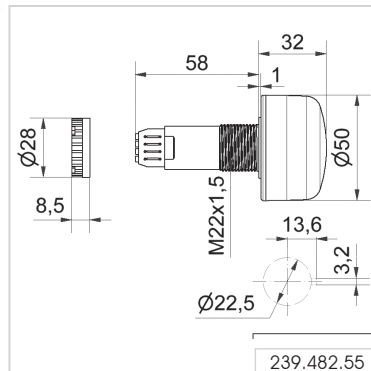
## ! ADDITIONAL INFORMATION:

The LED beacon 239 is suitable for applications on machines or in control panels.

The LED installation beacon (multicolour) can be single-hole mounted with ease thanks to its M22 installation dimensions.

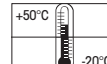
X1	X2	X3	X4	X5	Colour
			nc	COM	OFF
		24V DC	nc	COM	RD
	24V DC		nc	COM	GN
	24V DC	24V DC	nc	COM	YE
24V DC			nc	COM	BU
24V DC	24V DC	24V DC	nc	COM	WH

## ↔ TECHNICAL DIAGRAM:



### Signalisation index

LED Permanent Light (multicolour) 3



# 239 LED Installation Beacon (Multicolour) for AS-Interface

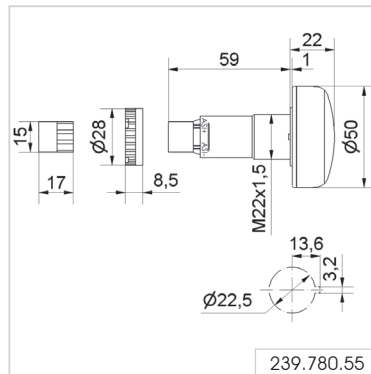


Five colours in one beacon:  
red, yellow, green, white and blue

## ① TECHNICAL SPECIFICATIONS/ORDER SPECIFICATIONS:

Dimensions (Ø x Height):	50 mm x 22 mm (Protrusion from panel)
Housing:	PC/ABS-Blend, black
Lens:	PC, transparent
Fixing:	Installation mounting for Ø 22.5 mm (M22 x 1.5 mm) with anti-twist device
Connection:	Screw terminal with wire protection max. 1.5 mm <sup>2</sup>
Power supply AS-Interface:	Via bus conduction
Operating voltage:	25 V ... 31.6 V according to the AS-Interface specification
Current consumption:	≤ 100 mA
Specification:	V 3.0
IO-Code:	8 <sub>HEX</sub>
ID-Code:	A <sub>HEX</sub>
ID2-Code:	E <sub>HEX</sub>
Colour options:	Red, yellow, green, white, blue
Life duration:	Up to 50,000 hrs
Nut and seal included in assembly.	
LED Installation Beacon (multicolour) for AS-Interface	<b>239 780 55</b>

## ↔ TECHNICAL DIAGRAM:

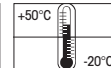


### Signalisation index

LED Permanent Light (multicolour) 3



Approval No. 2001



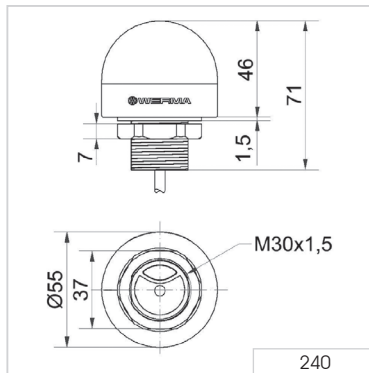
# 240 LED Installation Beacon (Multicolour)



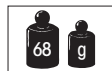
## TECHNICAL SPECIFICATIONS/ORDER SPECIFICATIONS:

Dimensions (Ø x Height):	55 mm x 46 mm (Protrusion from panel)			
Housing:	PC/ABS-Blend, black			
Lens:	PC, transparent			
Fixing:	Installation mounting M30			
Colour options:	Red, yellow, green, white, blue, violet, turquoise (Multicolour) Rot, yellow, green (Tricolour)			
Life duration:	Up to 50,000 hrs			
<b>Without Buzzer</b>	Voltage	Current consumption	Plug M12	Cable
Tricolour (RGY)	24 V DC	45 mA	<b>240 220 55</b>	<b>240 210 55</b>
Multicolour (RGB)	10-30 V DC	60 mA	<b>240 120 50</b>	<b>240 110 50</b>

## TECHNICAL DIAGRAM:



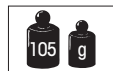
240.220.55



240.120.50



240.210.55



240.110.50

