



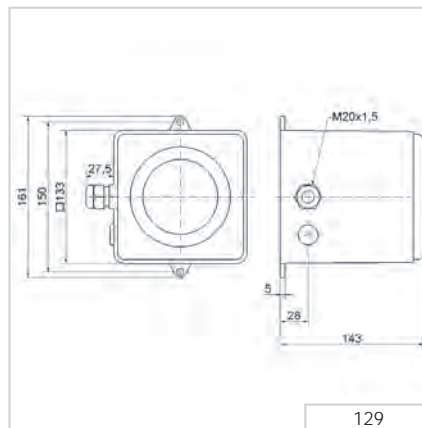
## 129 Electronic Multi-Tone Sounder (110 dB)



### ① TECHNICAL SPECIFICATIONS/ORDER SPECIFICATIONS:

Dimensions (L x H x W):	143 mm x 161 mm x 161 mm		
Housing:	Die-cast aluminium		
Connection:	Screw terminal 0.5 - 2.5 mm <sup>2</sup>		
Cable entry:	Cable gland M20 x 1.5 mm Cable diameter 8-12 mm		
Tone types and frequencies:	Selectable via DIP switch, see table page 193		
Voltage:	24 V DC	115 V AC	230 V AC
Current consumption:	400 mA	120 mA	60 mA
Order No.:	<b>129 052 55</b>	<b>129 052 67</b>	<b>129 052 68</b>

### ↔ TECHNICAL DIAGRAM:



CE

#### Signalisation index

Multi-tone sounder

8



24 V



230 V

