

729 Ex LED Permanent Beacon Midi



The maintenance-free LEDs have a life duration of up to 50,000 hours



Additional protection with the robust wire guard (accessory)

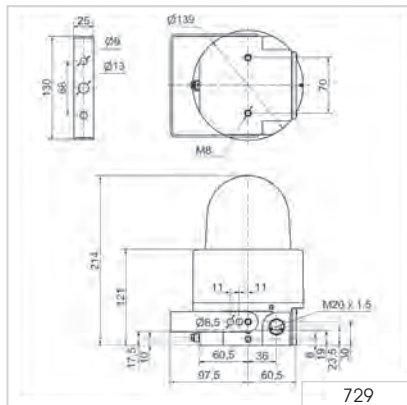
① TECHNICAL SPECIFICATIONS/ORDER SPECIFICATIONS:

Dimensions (Ø x Height):	139 x 214 mm	
Housing:	Black coated aluminium, salt water resistant	
Lens:	Reinforced borosilicate glass	
Connection:	CAGE CLAMP® max. 2.5 mm ²	
Fixing:	Wall, base and ceiling mounting Integrated mounting bracket, stainless steel	
Cable entry:	Cable gland M20 x 1.5 mm Cable diameter 6-13 mm	
Life duration:	Up to 50,000 hrs	
Assembly:	Ex screw plug M20 x 1.5 mm Ex cable gland M20 x 1.5 mm	
Voltage:	24 V DC	115 V/230 V AC
Current consumption:	130 mA	30 mA at 230 V AC
Explosion protection:	ⓧ II 2G Ex d e IIC T6 Gb ⓧ II 2D Ex tb IIC T80°C Db	
Approval:	BVS 11 ATEX E 107 IECEx_BVS_11.0082	
red	729 100 55	729 100 68
yellow	729 300 55	729 300 68

✂ ACCESSORIES:

Ex wire guard, stainless steel	975 729 03
Ex cable gland M20 x 1.5 mm, metal	
To expand the temperature range from -40 °C to -50 °C	975 729 04
Ex screw plug M20 x 1.5 mm	975 729 02
Ex cable gland M20 x 1.5 mm	
For connecting to an additional beacon	975 729 01

↔ TECHNICAL DIAGRAM:



Signalisation index	
LED Permanent Light	 4

			<table border="1"> <tr> <td>2 G</td> <td>2 D</td> </tr> <tr> <td>Zone 1 + 2</td> <td>Zone 21 + 22</td> </tr> </table>	2 G	2 D	Zone 1 + 2	Zone 21 + 22	<table border="1"> <tr> <td>2.9 kg</td> </tr> </table>	2.9 kg		<table border="1"> <tr> <td>+50°C</td> <td>-40°C</td> </tr> </table>	+50°C	-40°C
2 G	2 D												
Zone 1 + 2	Zone 21 + 22												
2.9 kg													
+50°C	-40°C												