

816 LED Permanent Beacon Multicolour - PG29 (Ø 37 mm)



816 Multicolour
with clear lens



816 Multicolour
with opaque lens



7 colours in one beacon:
red, yellow, green, white, blue,
violet and turquoise

① TECHNICAL SPECIFICATIONS/ORDER SPECIFICATIONS:

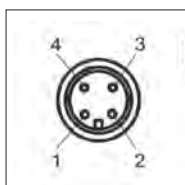
Dimensions (Ø x Height):	75 mm x 66 mm (Protrusion from panel)
Housing:	ABS/PC-Blend, black
Lens:	PC, transparent Shock resistance 20 Joules according to EN 60079-0
Fixing:	Installation mounting for Ø 37 mm (PG29)
Connection:	M12 plug (4 pole)
Colour options:	Red, yellow, green, white, blue, violet, turquoise (multicolour)
Life duration:	Up to 50,000 hrs
Voltage:	24 V DC
Current consumption:	max. 120 mA
clear lens	816 480 55

✂ ACCESSORIES:

Cable 5m with M12 plug	960 693 05
Base for base mounting	975 812 02
Tube adaptor	975 812 01
Base with integrated tube, Ø 25 mm, 110 mm long, plastic	975 840 10
Tube Ø 25 mm, all anodised aluminium	
100 mm long	975 845 10
250 mm long	975 840 25
400 mm long	975 840 40
Base for tube mounting, metal	975 840 91
Anti-twist device	975 815 22

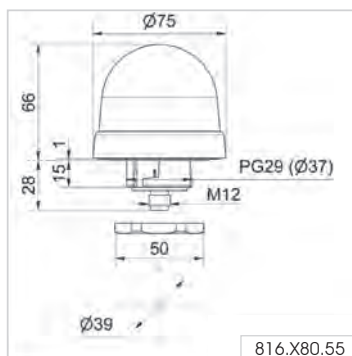
! ADDITIONAL INFORMATION:

Easy triggering



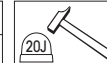
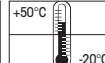
PIN	1	2	3	4	Colour
24 V	-	-	GND	-	rd
-	24 V	GND	-	-	gn
24 V	24 V	GND	-	-	ye
-	-	GND	24 V	-	bu
24 V	24 V	GND	24 V	-	wh
24 V	-	GND	24 V	-	vt
-	24 V	GND	24 V	-	tg

← TECHNICAL DIAGRAM:

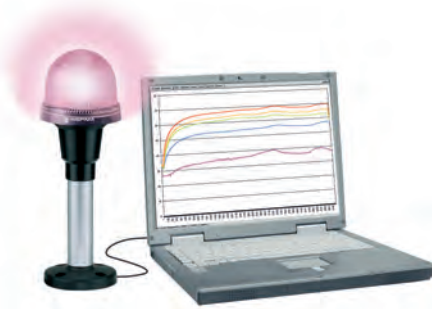


Signalisation index

LED Permanent Light (multicolour) 3



816 LED Beacon (Multicolour) with USB Interface - PG29 (Ø 37 mm)



Simple triggering as no special software is required

① TECHNICAL SPECIFICATIONS/ORDER SPECIFICATIONS:

Dimensions (Ø x Height):	75 mm x 66 mm (Protrusion from panel)
Housing:	ABS/PC-Blend, black
Lens:	PC, transparent Shock resistance 20 Joules according to EN 60079-0
Fixing:	Installation mounting for Ø 37 mm (PG29) Base and wall mounting possible (accessories)
Connection:	Mini USB 2.0 downward cable outlet
Power supply:	Via USB
Colour options:	More than 200,000 colours (RGB LED)
Suitable for:	Windows®, System requirements – see Handbook
Assembly:	LED beacon, demo software, driver and USB connection cable included, 1.8 m long
Life duration:	Up to 50,000 hrs
Voltage:	5 V (USB-Connection)
Current consumption:	≤ 500 mA
clear lens	816 480 53
opaque lens	816 780 53

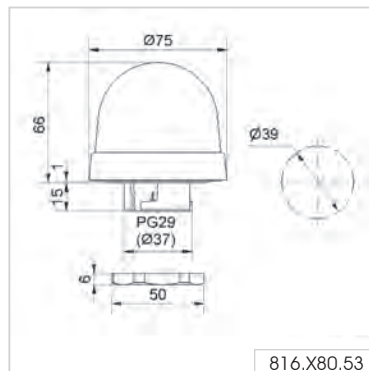
✂ ACCESSORIES:

You will find the appropriate accessories for base or tube mounting on page 104 or under www.werma.com

! ADDITIONAL INFORMATION:

The installation LED Beacon with USB interface is compatible with USB 2.0 and 1.1. A wide range of colours and light effects can be quickly and simply programmed by the customer and altered at any time.

↪ TECHNICAL DIAGRAM:



Signalisation index

LED Permanent Light (multicolour) 3

