



839 LED Permanent Beacon

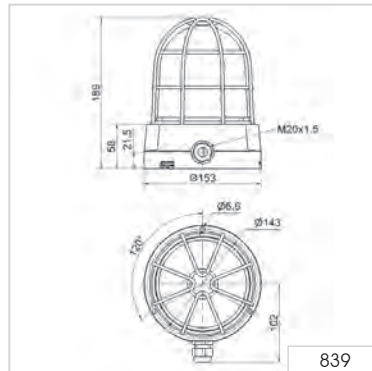
① TECHNICAL SPECIFICATIONS/ORDER SPECIFICATIONS:

Dimensions (Ø x Height):	153 mm x 189 mm	
Housing:	Black coated aluminium with integral wire guard	
Lens:	PC, transparent	
Fixing:	Base mounting, Bracket mounting (accessory)	
Connection:	Screw terminal 0.5 - 1.5 mm ²	
Cable entry:	Cable gland M20 x 1.5 mm (included in assembly) Cable diameter 6-13 mm	
Installation position:	As required	
Life duration:	Up to 50,000 hrs	
Voltage:	12-50 V DC	230 V AC
Current consumption:	500-100 mA	50 mA
red	839 100 55	839 100 68
yellow	839 300 55	839 300 68

✂ ACCESSORIES:

Mounting bracket	975 839 02
------------------	-------------------

← TECHNICAL DIAGRAM:



Signalisation index
LED Permanent Light **6**

