

# 839 LED Rotating Beacon



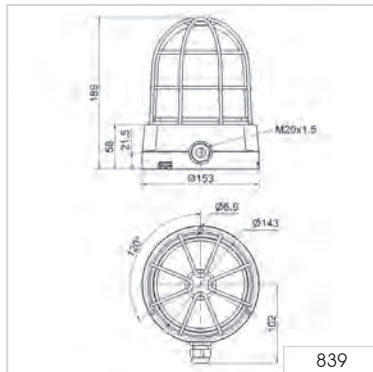
## ① TECHNICAL SPECIFICATIONS/ORDER SPECIFICATIONS:

Dimensions (∅ x Height):	153 mm x 189 mm	
Housing:	Black coated aluminium with integral wire guard	
Lens:	PC, transparent	
Fixing:	Base mounting, Bracket mounting (accessory)	
Connection:	Screw terminal 0.5 -1.5 mm <sup>2</sup>	
Cable entry:	Cable gland M20 x 1.5 mm (included in assembly) Cable diameter 6-13 mm	
Installation position:	As required	
Rotation rate:	c. 180 r.p.m.	
Life duration:	Up to 50,000 hrs	
Voltage:	24 V DC	115-230 V AC
Current consumption:	150 mA	70-180 mA
red	<b>839 120 55</b>	<b>839 120 68</b>
yellow	<b>839 320 55</b>	<b>839 320 68</b>

## ✂ ACCESSORIES:

Mounting bracket	<b>975 839 02</b>
------------------	-------------------

## ↔ TECHNICAL DIAGRAM:



Mounting bracket  
(accessory)

### Signalisation index

LED Rotating Light 7

