

839 Rotating Mirror Beacon



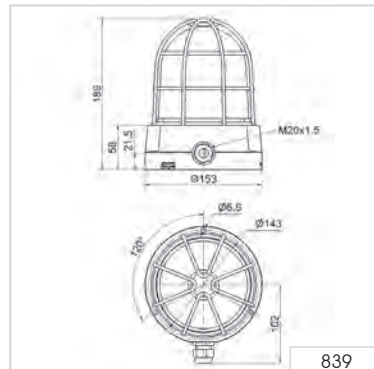
① TECHNICAL SPECIFICATIONS/ORDER SPECIFICATIONS:

Dimensions (Ø x Height):	153 mm x 189 mm	
Housing:	Black coated aluminium with integral wire guard	
Lens:	PC, transparent	
Fixing:	Base mounting, Bracket mounting (accessory)	
Connection:	Screw terminal 0.5 - 1.5 mm ²	
Cable entry:	Cable gland M20 x 1.5 mm (included in assembly) Cable diameter 6-13 mm	
Installation position:	As required	
Halogen bulb:	G 6.35 20W 12/24 V	
Mirror rotating rate:	180 r.p.m.	
Service life of drive:	> 5,000 hrs	
Voltage:	24 V AC/DC	115 V AC / 115 V DC / 230 V AC / 230 V DC
Current consumption:	1.0 A	0.35 A / 0.2 A / 0.15 A / 0.1 A
red	839 160 75	839 160 78
yellow	839 360 75	839 360 78

✂ ACCESSORIES:

Mounting bracket	975 839 02
SPARE PARTS:	
Halogen bulb 20 W/12 V for 115 V AC, 115 V DC, 230 V AC, 230 V DC	955 885 24
Halogen bulb 20 W/24 V for 24 V AC/DC	955 885 25

↔ TECHNICAL DIAGRAM:



Signalisation index

Rotating Mirror 7

