



Base mounting



Rotating Mirror Beacon 885 with tube and base (accessories)



Plastic bracket und wire guard (accessories)

# 885 Rotating Mirror Beacon

## ① TECHNICAL SPECIFICATIONS/ORDER SPECIFICATIONS:

	Base/Bracket mounting	Tube mounting
Dimensions (Ø x Height):	98 mm x 151 mm	98 mm x 200 mm
Housing:	PC/ABS-Blend	
Lens:	PC, transparent	
Connection:	Screw terminal max. 1.5 mm <sup>2</sup>	
Cable entry:	Cable diameter 5-7 mm	
Installation position:	Standing, Tube mounting if required	
Halogen bulb:	G 6.35 20 W 12 V / 24 V	
Mirror rotation rate:	c. 180 r.p.m.	
Service life of drive	> 5,000 hrs	
Duty cycle:	100 %	

Halogen bulb included in assembly.

### Base/Bracket mounting

Voltage:	12 V DC	24 V AC/DC	115 V AC / 115 V DC / 230 V AC / 230 V DC
Current consumption:	1.9 A	1.0 A	0.4 A / 0.2 A / 0.2 A / 0.1 A
red	<b>885 100 54</b>	<b>885 100 75</b>	<b>885 100 78</b>
green	<b>885 200 54</b>	<b>885 200 75</b>	<b>885 200 78</b>
yellow	<b>885 300 54</b>	<b>885 300 75</b>	<b>885 300 78</b>
blue	<b>885 500 54</b>	<b>885 500 75</b>	<b>885 500 78</b>

### Tube mounting

Voltage:	12 V DC	24 V AC/DC	115 V AC / 115 V DC / 230 V AC / 230 V DC
Current consumption:	1.9 A	1.0 A	0.4 A / 0.2 A / 0.2 A / 0.1 A
red	<b>885 110 54</b>	<b>885 110 75</b>	<b>885 110 78</b>
green	<b>885 210 54</b>	<b>885 210 75</b>	<b>885 210 78</b>
yellow	<b>885 310 54</b>	<b>885 310 75</b>	<b>885 310 78</b>
blue	<b>885 510 54</b>	<b>885 510 75</b>	<b>885 510 78</b>

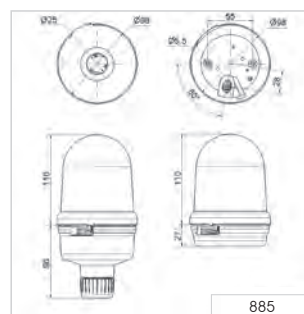
## ✂ ACCESSORIES:

Plastic bracket for wall mounting	<b>975 826 05</b>
Wire guard, galvanised, only for base mounting Tube Ø 25 mm, all anodised aluminium	<b>975 826 03</b>
100 mm long	<b>975 845 10</b>
250 mm long	<b>975 840 25</b>
Base for tube mounting, plastic, Ø 25 mm	<b>975 840 90</b>
Base for tube mounting, metal, Ø 25 mm	<b>975 840 91</b>

## SPARE PARTS:

Halogen bulb 20 W/12 V for 12 V DC	
115 V AC/DC, 230 V AC/DC	<b>955 885 24</b>
Halogen bulb 20 W/24 V for 24 V AC/DC	<b>955 885 25</b>

## ← TECHNICAL DIAGRAM:



### Signalisation index

Rotating Mirror 7

