

Mini Installation Beacons - 239/24x

Your benefits

WERMA's mini installation beacons are perfect for use on machinery and control panels. The colours can be set quite simply by means of binary inputs.

- Up to seven different colours with just one light
- Low lens, where space is restricted
- Raised lens for best visibility also from the side

Typical applications

Signalling faults and statuses

- On control consoles of machinery
- In machine housings
- On control panels

Installation options

- M22 single-hole mounting (239)
- M30 single-hole mounting (240)

Features

- Bit-encoded actuation allows the three basic colours green, yellow and red to be displayed using just two PLC outputs. With a third output, white and blue can also be activated.
- With Spec. V 3.0, the special AS interface version is suitable for addressing (A/B mode) up to 62 modules – without an external power supply (239)



Size comparison
Mini 239/EvoSIGNAL Mini





240 LED Installation Beacon (Multicolour/MC55) with or without UL



TECHNICAL SPECIFICATIONS/ORDER SPECIFICATIONS:

Dimensions (Ø x Height):	55 mm x 46 mm (Protrusion from panel)			
Housing:	PC/ABS-Blend, black PC black (UL version)			
Lens:	PC, transparent			
Fixing:	Installation mounting M30			
Colour options:	Red, yellow, green, white, blue, violet, turquoise (Multicolour) Red, yellow, green (Tricolour)			
Light effects:	Permanent light, permanent and blinking light (1 Hz) (240 110 50)			
Life duration:	Up to 50,000 hrs			
Without UL	Voltage	Current consumption	Plug M12	Cable
Tricolour (RGY)	24 V DC	45 mA	240 220 55	240 210 55
Multicolour (RGB)	10-30 V DC	60 mA	240 120 50	240 110 50
With UL				
Tricolour (RGY)	24 V DC	40 mA	240 420 55	-
Multicolour (RGB)	10-30 V DC	120 mA	240 320 50	-

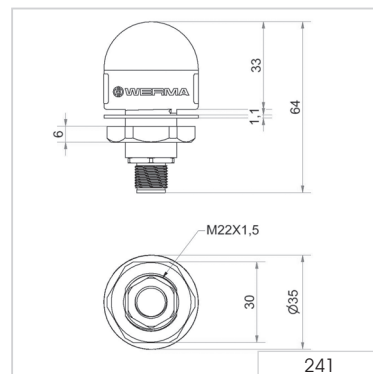
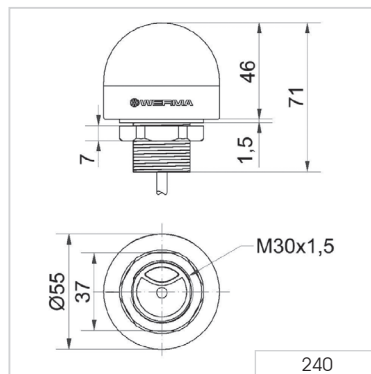
241 LED Installation Beacon (Multicolour/MC35) with UL



TECHNICAL SPECIFICATIONS/ORDER SPECIFICATIONS:

Dimensions (Ø x Height):	35 mm x 64 mm (Protrusion from panel)		
Housing:	PC/ABS-Blend, black		
Lens:	PC, transparent		
Fixing:	Installation mounting M22		
Colour options:	Red, yellow, green, white, blue, violet, turquoise (Multicolour) Red, yellow, green (Tricolour)		
Light effects:	Permanent light		
Life duration:	Up to 50,000 hrs		
	Voltage	Current consumption	Plug M12
Tricolour (RGY)	24 V DC	20 mA	241 420 55
Multicolour (RGB)	10-30 V DC	30 mA	241 320 50

TECHNICAL DIAGRAM:



240.420.55
240.320.50
241.420.55
241.320.50

241

240.220.55

240.420.55

240.320.50

240.120.50

240.210.55

240.110.50

UL-Version

