

Design Multi-Tone Sounder

Your benefits

WERMA Design Multi-Tone Sounders provide safety and security by providing an audible warning in applications with greater aesthetic requirements. The innovative housing design makes for simple mounting in many diverse applications.

- Ideal signalling effect over great distances
- Many application options with up to 32 tones available
- Up to 3 tones can be externally triggered for the escalation of signals
- Includes standardised tones (including those used in fire alarms)

Typical applications

- Signalling faults or alarms in the event of danger
- in building service systems
- on machinery and equipment

Installation options

- Wall mounting
- Base mounting
- Ceiling mounting

Features

- Up to 32 tones (standardised according to various standards and guidelines)
- Multi-voltage versions allow multiple applications with a single device



144 Multi-Tone Sounder



Base Mounting

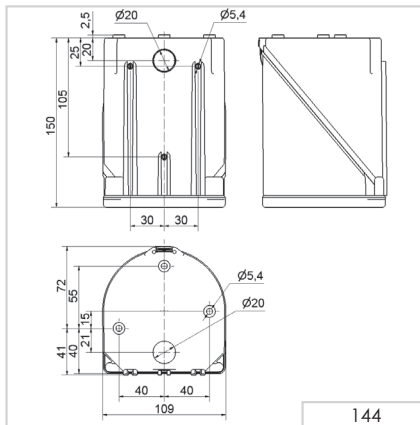


Wall mounting

① TECHNICAL SPECIFICATIONS/ORDER SPECIFICATIONS:			
Dimensions (L x H x W):	109 mm x 113 mm x 150 mm		
Housing:	PC/ABS-Blend		
Connection:	24 V: Screw terminal 0.5 - 1.5 mm ² 115/230 V: CAGE CLAMP®		
Cable entry:	Membrane for cable diameter max. 13 mm		
Fixing:	Wall, base and ceiling mounting		
Tone types and frequencies:	Selectable via DIP switch, see table on page 180		
Voltage:	24 V AC/DC	115 V AC	230 V AC
Current consumption:	200 mA	55 mA	30 mA
Order No.:	144 000 75	144 000 67	144 000 68

✂ ACCESSORIES:	
Cable gland M20 x 1.5 mm (for cable strain relief)	975 444 01
Protection rating IP 65 is provided even without cable gland	

↔ TECHNICAL DIAGRAM:



			24 V 	115 V / 230 V 			(A)	(C)	24 V 	
--	--	--	----------	-------------------	--	--	-----	-----	----------	--

